

SHARP

SUPPLEMENTAL SERVICE MANUAL

S20M321R140TX

OVER THE RANGE MICROWAVE MODELS

This manual is to be used for models with the starting serial number 511112.

R-1405-T/1406-T



R-1405-T pictured

R-1514-T



R-1514-T pictured

This is a supplemental Service Manual for Models R-1405-T, R-1406-T and R-1514-T starting with Serial Number 511112. Use this supplemental manual together with these base models for complete operation, service information, etc.

In the interest of user-safety the unit should be restored to its original condition and only parts identical to those specified should be used.

WARNING TO SERVICE PERSONNEL:

This service manual is intended for use by persons having electrical and mechanical training and a level of knowledge of these subjects generally considered acceptable in the appliance repair trade. Sharp Electronics Corporation cannot be responsible, nor assume any liability, for injury or damage of any kind arising from the use of this manual.

Microwave ovens contain circuitry capable of producing very high voltage and current. Contact with the following parts may result in a severe, possibly fatal, electrical shock. (High Voltage Capacitor, High Voltage Power Transformer, High Voltage Rectifier, Heat sink, Magnetron, and High Voltage Harness etc..)

SHARP ELECTRONICS CORPORATION

This document has been published to be used for after sales service only. The contents are subject to change without notice.

SUPPLEMENTAL SERVICE MANUAL

SHARP

OVER THE RANGE MICROWAVE OVEN

R-1405-T / R-1406-T / R-1514-T

FOREWORD

This Manual has been prepared to provide Sharp Electronics Corp. Service Personnel with Operation and Service Information for the SHARP OVER THE RANGE MICROWAVE OVENS.

It is recommended that service personnel carefully study the entire text of this manual so that they will be qualified to render satisfactory customer service.

Check the interlock switches and the door seal carefully. Special attention should be given to avoid electrical shock and microwave radiation hazard.

WARNING

Never operate the oven until the following points are ensured.

- (A) The door is tightly closed.
- (B) The door brackets and hinges are not defective.
- (C) The door packing is not damaged.
- (D) The door is not deformed or warped.
- (E) There is not any other visible damage with the oven.

Servicing and repair work must be carried out only by trained service personnel.

DANGER

Certain initial parts are intentionally not grounded and present a risk of electrical shock only during servicing. Service personnel - Do not contact the following parts while the appliance is energized; High Voltage Capacitor, Power Transformer, Magnetron, High Voltage Rectifier Assembly, High Voltage Harness; If provided, Vent Hood, Fan assembly, Cooling Fan Motor.

All the parts marked “*” on parts list are used at voltages more than 250V.

Removal of the outer wrap gives access to voltage above 250V.

All the parts marked “Δ” on parts list may cause undue microwave exposure, by themselves, or when they are damaged, loosened or removed.

BEFORE SERVICING

Before servicing an operative unit, perform a microwave emission check as per the Microwave Measurement Procedure outlined in this service manual.

If microwave emissions level is in excess of the specified limit, contact SHARP ELECTRONICS CORPORATION immediately @ 1-800-237-4277.

If the unit operates with the door open, service person should 1) tell the user not to operate the oven and 2) contact SHARP ELECTRONICS CORPORATION and Food and Drug Administration's Center for Devices and Radiological Health immediately.

Service personnel should inform SHARP ELECTRONICS CORPORATION of any certified unit found with emissions in excess of 4mW/cm². The owner of the unit should be instructed not to use the unit until the oven has been brought into compliance.

SHARP ELECTRONICS CORPORATION

SHARP PLAZA, MAHWAH,
NEW JERSEY 07430-2135

PARTS LIST

**Note: The parts marked "Δ" may cause undue microwave exposure.
The parts marked "*" are used in voltage more than 250V.**

REF. NO.	PART NO.	DESCRIPTION	Q'TY	CODE
ELECTRIC PARTS				
* 1- 1	FH-DZB033MRY0	High voltage rectifier assembly	1	AN
1- 2	RC-QZA026WRZZ	High voltage capacitor	1	AT
1- 3	QFS-TA013WRE0	Temperature fuse 150½C (Magnetron)	1	AG
1- 4	RMOTDA252WRZZ	Turntable motor	1	AN
1- 5	RTHM-A135WRZZ	Thermal cut-out 145½C (Cavity)	1	AG
1- 6	RTHM-A136WRZZ	Thermal cut-out N.O. 60½C (Hood Fan)	1	AK
* 1- 7	RTRN-B096MRE0	Power transformer	1	BL
Δ 1- 8	RV-MZA293WRE0	Magnetron	1	BH
1- 9	FPWBFA437WRKZ	Noise filter	1	AS
1-10	QSW-MA085WRE0	Primary interlock and door sensing switches	3	AF
1-11	FFS-BA033WRKZ	Monitor switch (V-5220Q) & fuse assy (20A, 120VAC)	1	AN
1-12	FACCDB011MRE0	Power supply cord	1	AV
1-13	QSOCLA021WRE0	Oven lamp socket	3	AG
1-14	FMOTEA469WRKZ	Hood fan motor [R-1405-T/R-1406-T]	1	BL
1-14	FMOTEA489WRKZ	Hood fan motor [R-1514-T]	1	BK
1-15	RMOTEB031MRE0	Fan motor	1	AT
1-16	RLMPTA086WRZZ	Oven lamp	3	AL
1-17	FDTCTA225WRKZ	AH sensor	1	AW

CABINET PARTS

2- 1	LSTY-A121WRWZ	Rear stay	1	AN
2- 2	PDIF-A042WRFZ	Hood exhaust louver [R-1405-T]	1	AX
2- 2	PDIF-A044WRFZ	Hood exhaust louver [R-1406-T]	1	AX
2- 2	FDIF-B014MRK0	Hood exhaust louver [R-1514-T]	1	BF
2- 3	GDAI-A461WRWZ	Base plate R	1	AQ
2- 4	HDECQA467WRFZ	Front panel L [R-1405-T]	1	AP
2- 4	HDECQA469WRFZ	Front panel L [R-1406-T]	1	AP
2- 4	FDECAB031MRK0	Front panel L [R-1514-T]	1	AX
2- 5	GCABUB185WRPZ	Outer case cabinet [R-1405-T/R-1514-T]	1	BG
2- 5	GCABUB188WRPZ	Outer case cabinet [R-1406-T]	1	BL
2- 6	TMAPCA797WRRZ	Schematic diagram [R-1405-T/R-1406-T]	1	AD
2- 6	TMAPCA799WRRZ	Schematic diagram [R-1514-T]	1	AD
2- 7	FANGKB009MRY0	Hood lamp glass assembly [R-1405-T/R-1514-T]	1	AP
2- 7	FANGKB029MRY0	Hood lamp glass assembly [R-1406-T]	1	AQ
2-7-1	LANGQB016MRP0	Hood lamp glass angle [R-1405-T/R-1514-T]	1	AM
2-7-1	LANGQB082MRP0	Hood lamp glass angle [R-1406-T]	1	AN
2-7-2	PGLSPB004MRE0	Hood lamp glass	1	AQ
2- 8	PCOVPA553WRPZ	Base cover [R-1405-T/R-1514-T]	1	AZ
2- 8	PCOVPA561WRTZ	Base cover [R-1406-T]	1	AZ

CONTROL PANEL PARTS

3- 1	GNLCA007WRKZ	T/C sub assy [R-1405-T/R-1406-T]	1	BP
3- 1	GNLCA006WRKZ	T/C sub assy [R-1514-T]	1	BQ
3- 2	FPNLCC070WRKZ	Control panel sub. assembly [R-1405-T]	1	AX
3- 2	FPNLCC071WRKZ	Control panel sub, assembly [R-1406-T]	1	AX
3- 2	FPNLCA420MRK0	Control panel sub, assembly [R-1514-T]	1	BH
3- 2-1	PSHEPB135MRR0	Key unit [R-1405-T]	1	AN
3- 2-1	PSHEPB134MRR0	Key unit [R-1406-T]	1	AN
3- 2-1	PSHEPB136MRR0	Key unit [R-1514-T]	1	AN
3- 2-2	JBTN-B641WRFZ	Open button [R-1405-T]	1	AG
3- 2-2	JBTN-B642WRFZ	Open button [R-1406-T]	1	AG
3- 2-2	FDECAB030MRK0	Open button [R-1514-T]	1	AT
3- 2-3	MSPRCA045WRE0	Button spring [R-1405-T/R-1406-T]	1	AF
3- 2-3	MSPRTA050WRE0	Button spring [R-1514-T]	1	AA
3- 3	XEPS730P10XS0	Screw; 3mm x 10mm	5	AA

REF. NO.	PART NO.	DESCRIPTION	Q'TY	CODE
OVEN PARTS				
4- 1	LSTPPB038MRF0	Door stopper	1	AF
4- 2	FROLPA097WRKZ	Turntable support assembly	1	AN
4- 3	NTNT-A108WREZ	Turntable tray	1	AW
4- 4	LBNDKA186WRPZ	Capacitor holder	1	AF
4- 5	PDUC-B155WRFZ	Magnetron duct	1	AK
4- 6	MLEVPA244WRFZ	Open lever	1	AG
4- 7	*****	Oven cavity (Not replaceable part)	1	
4- 8	PPACGA084WRF0	Turntable motor packing	1	AE
4- 9	PHOK-A130WRFZ	Latch hook	1	AK
4-10	LANGTA477WRWZ	Unit mounting plate assembly	1	AT
4-11	NFANJA060WRFZ	Fan blade	1	AH
4-12	LBSHCA014WRE0	Cord bushing	1	AG
4-13	PDUC-B173WRFZ	Orifice	2	AK
4-14	PDUC-B157WRWZ	Hood intake duct R	1	AN
4-15	PCOVPA554WRPZ	Waveguide cover	1	AF
4-16	PCUSUA661WRPZ	Transformer cushion	2	AC
4-17	LANGTA479WRPZ	Chassis support	2	AK
4-18	PDUC-B158WRFZ	Hood duct R	1	AQ
4-19	PDUC-B156WRFZ	Hood duct L	1	AR
4-20	PDUC-B159WRWZ	Fan duct	1	AM
4-21	PCUSUA665WRPZ	Cushion [R-1514-T only]	1	AG
4-22	PCUSUA672WRPZ	Cushion	1	AF

DOOR PARTS				
5	CDORFB321MRK0	Door assembly [R-1405-T]	1	BL
5	CDORFB322MRK0	Door assembly [R-1406-T]	1	BL
5	CDORFB317MRK0	Door assembly [R-1514-T]	1	BQ
5-1	LSTPPB023MRF0	Latch head	1	AF
5-2	MSPRTA046WRE0	Latch spring	1	AD
5-3	GCOVHB044MRF0	Choke cover	1	AX
5-4	XCPD40P08000	Screw : 4mm x 8mm	2	AC

MISCELLANEOUS				
6- 1	CFZK-B657WRKZ	Installation material assembly	1	AQ
6-1-1	LX-BZ0195WRE0	Toggle screw	4	AH
6-1-2	XBPS750P85000	Screw : 5mm x 60mm	2	AF
6-1-3	XOTS740P12000	Screw : 4mm x 12mm	3	AB
6-1-4	XTSS750P35000	Screw : 5mm x 35mm	6	AD
6-1-5	XWHS750-16300	Washer	2	AG
6-1-6	LANG-A136WRPZ	Scale plate	2	AF
6- 2	TINSEB233WRKZ	Operation manual [R-1405-T/R-1406-T]	1	AN
6- 2	TINSEB237WRRZ	Operation manual [R-1514-T]	1	AN
6- 3	TINSKA036WRRZ	Top template	1	AG
6- 4	QW-QZB023MRE0	High voltage wire A	1	AF
6- 5	FW-VZC270WREZ	Main harness [R-1405-T/R-1406-T]	1	AY
6- 5	FW-VZC271WREZ	Main harness [R-1514-T]	1	AY
6- 6	TCAUAA302WRRZ	DHHS service caution label	2	AF
6- 7	TCAUAA301WRRZ	Monitor caution label	1	AF
6- 8	TCAUAA300WRRZ	Revised DHHS/GRD C/label	1	AF
6- 9	TINSKA037WRRZ	Wall template	1	AH
6-10	PFIL-B002MRE0	Grease filter	2	AM
6-11	FFTA-B007MRK0	Exhaust damper assembly	1	AN
6-12	PFIL-B006MRE0	Charcoal filter [R-1514-T]	1	AR
6-13	PCUSUA660WRPZ	Rear cushion (for horizontal venting only)	1	AE
6-14	QW-VZB011MRE0	Sensor ground wire [R-1514-T only]	1	AF

REF. NO.	PART NO.	DESCRIPTION	Q'TY	CODE
SCREWS,NUTS AND WASHERS				
7- 1	LX-CZA109WREZ	Special screw (R-1405-T/R-1514-T)	3	AF
7- 1	LX-CZA108WREZ	Special screw (R-1406-T)	3	AD
7- 2	XOTS740P08000	Screw : 4mm x 12mm	20	AB
7- 3	XHTS740P08RV0	Screw : 4mm x 8mm	4	AG
7- 4	LX-CZ0052WREZ	Special screw	2	AA
7- 5	XEBS730P08000	Screw : 4mm x 8mm [R-1514-T only]	2	AB
7- 6	XHPS740P08K00	Special screw	2	AC
7- 7	XHPS740P08000	Screw : 3mm x 8mm	4	AB
7- 8	LX-WZB003MRE0	Sensor washer [R-1514-T only]	1	AF
7- 9	XOTS840P08000	Special screw [R-1405-T/R-1514-T]	4	AB
7- 9	XOTS740P08000	Special screw [R-1406-T]	4	AB

HOW TO ORDER REPLACEMENT PARTS

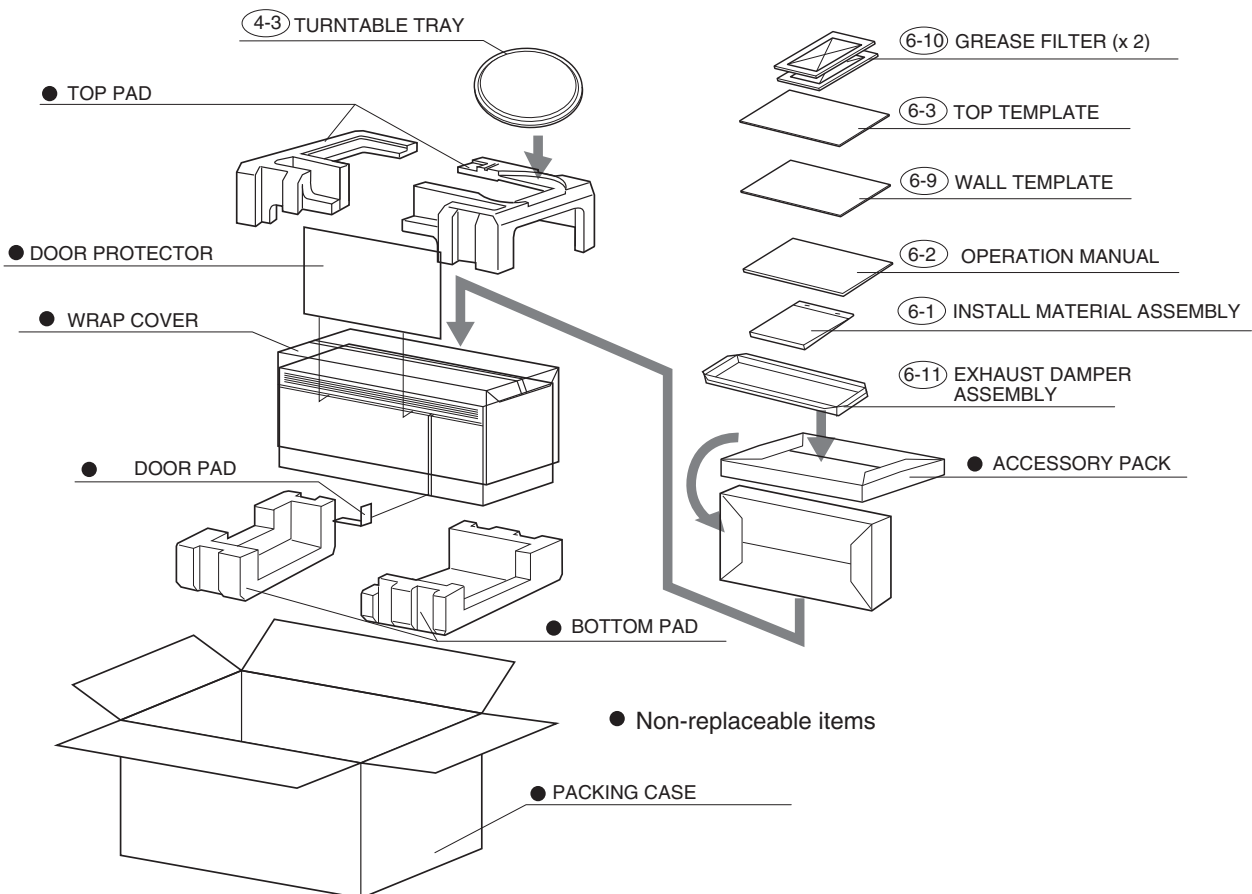
To have your order filled promptly and correctly, please furnish the following information.

1. MODEL NUMBER
2. REF. NO.
3. PART NO.
4. DESCRIPTION

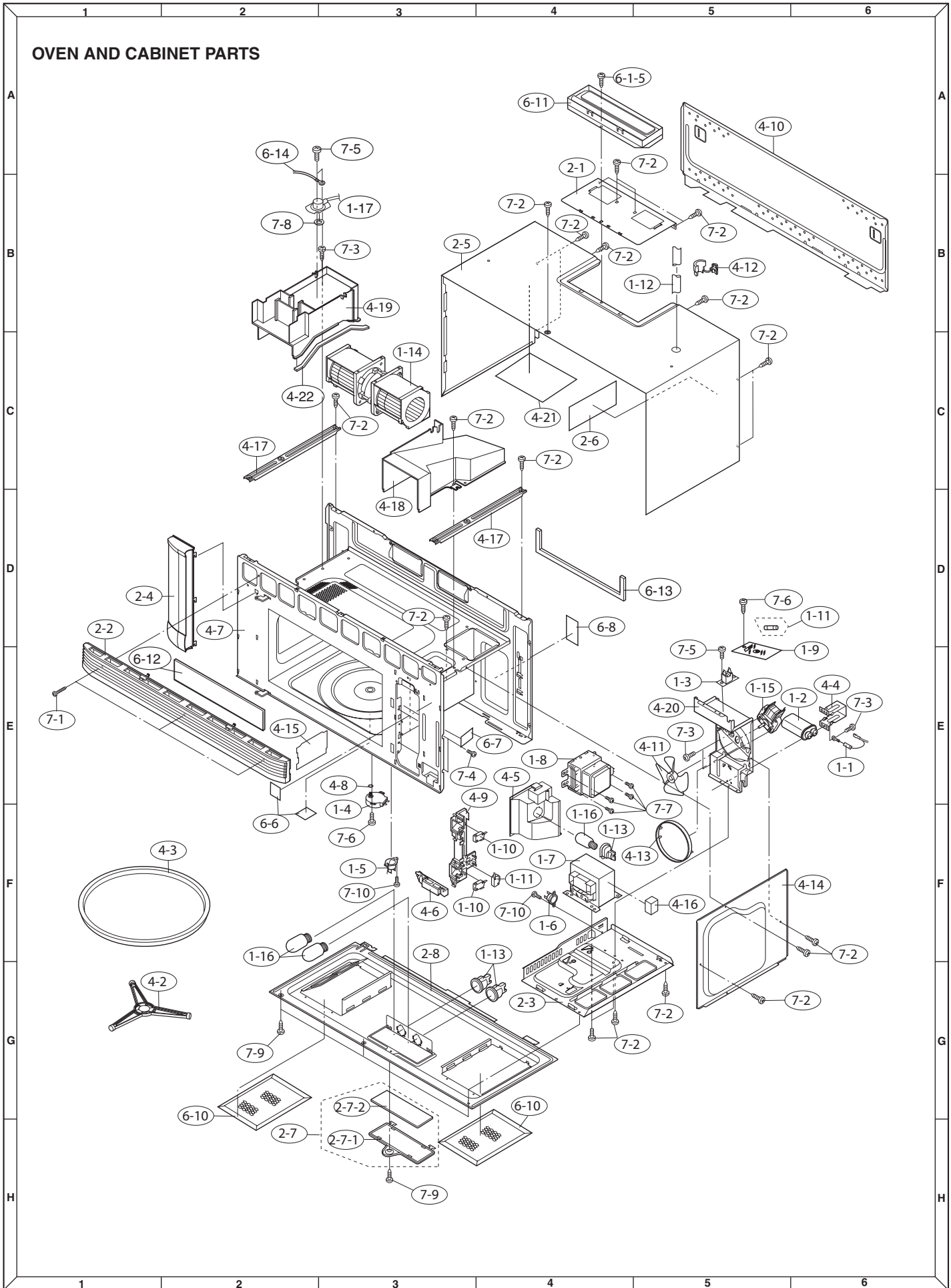
Order Parts from the authorized SHARP parts Distributor for your area.

Defective parts requiring return should be returned as indicated in the Service Policy.

PACKING AND ACCESSORIES



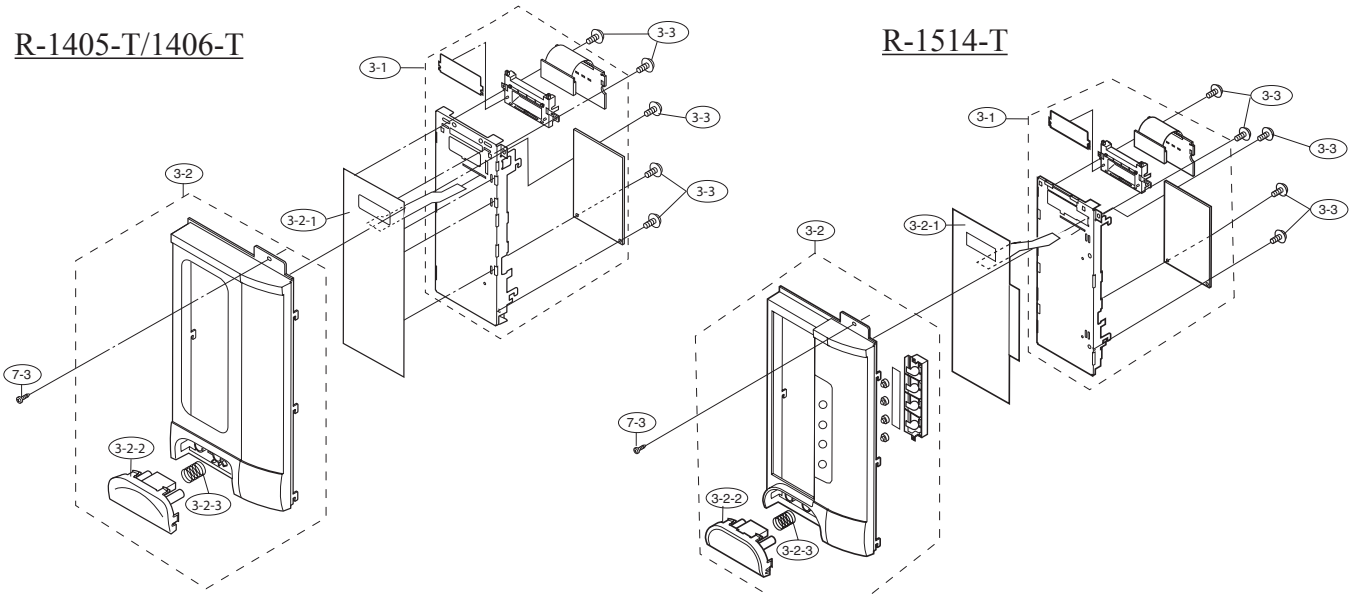
OVEN AND CABINET PARTS



CONTROL PANEL PARTS

R-1405-T/1406-T

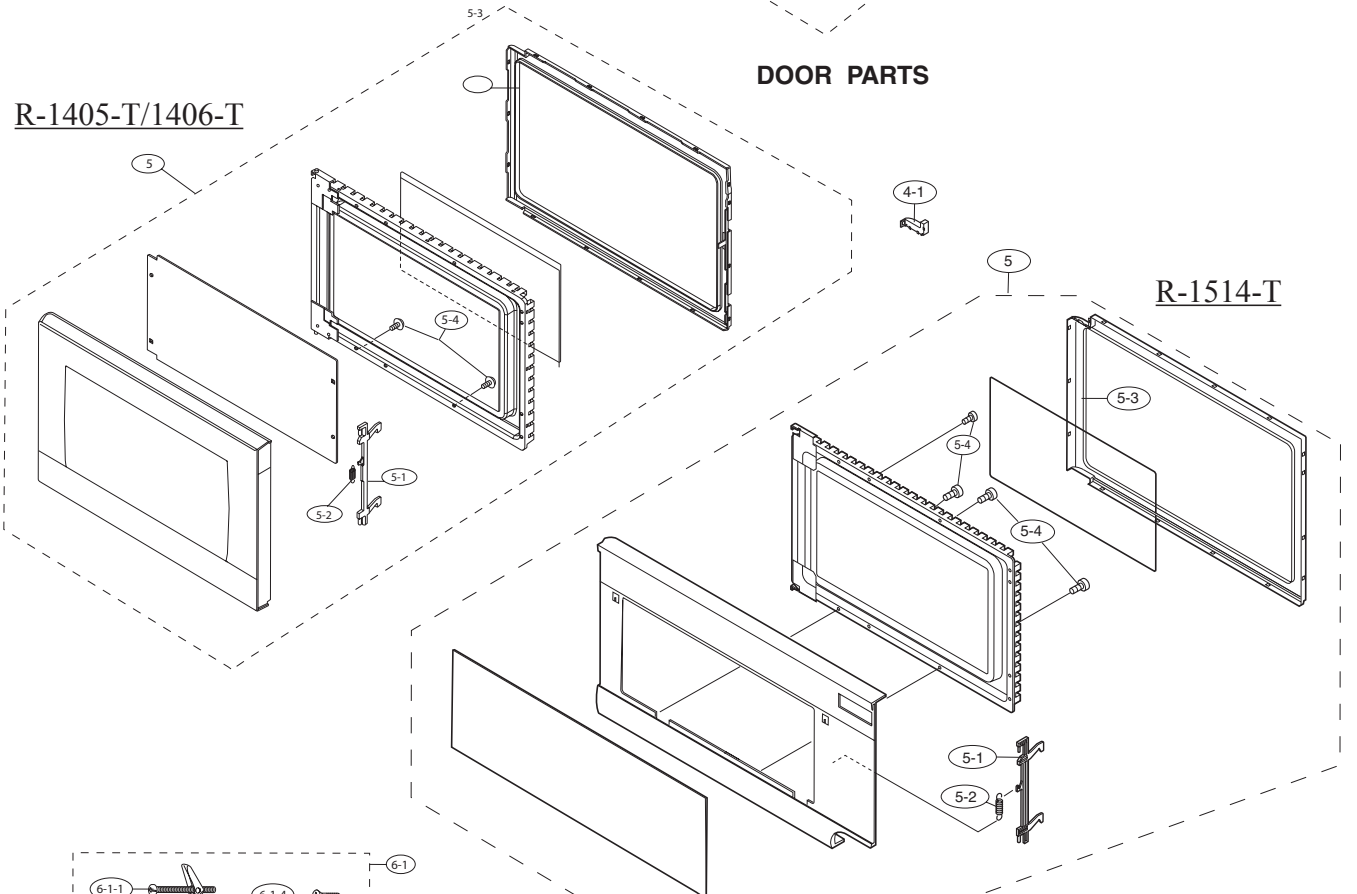
R-1514-T



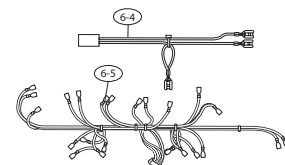
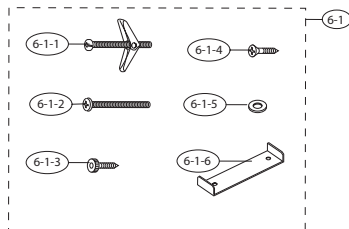
DOOR PARTS

R-1405-T/1406-T

R-1514-T



MISCELLANEOUS



SHARP

COPYRIGHT © 2010 BY SHARP CORPORATION

ALL RIGHTS RESERVED.

No part of this publication may be reproduced, stored in retrieval systems, or transmitted in any form or by any means, electronic, mechanical, photocopying, recording, or otherwise, without prior written permission of the publisher.