

SHARP

SUPPLEMENTAL SERVICE MANUAL

S40M324R18LST

OVER THE RANGE MICROWAVE MODELS

This manual is to be used for models with the starting serial number 511112.

R-1880LS-T / R-1880LST-T



Note: R-1880LST-T is the same as the R-1880LS-T, only the packing is different. It is shipped on pallets for Recreational Vehicle distributors.

This is a supplemental Service Manual for Models R-1880LS-T and R-1880LST-T starting with Serial Number 511112. Use this supplemental manual together with these base models for complete operation, service information, etc.

In the interest of user-safety the unit should be restored to its original condition and only parts identical to those specified should be used.

WARNING TO SERVICE PERSONNEL:

This service manual is intended for use by persons having electrical and mechanical training and a level of knowledge of these subjects generally considered acceptable in the appliance repair trade. Sharp Electronics Corporation cannot be responsible, nor assume any liability, for injury or damage of any kind arising from the use of this manual.

Microwave ovens contain circuitry capable of producing very high voltage and current. Contact with the following parts may result in a severe, possibly fatal, electrical shock. (High Voltage Capacitor, High Voltage Power Transformer, High Voltage Rectifier, Heat sink, Magnetron, and High Voltage Harness etc..)

SHARP ELECTRONICS CORPORATION

This document has been published to be used for after sales service only. The contents are subject to change without notice.

SUPPLEMENTAL SERVICE MANUAL

SHARP

OVER THE COUNTER MICROWAVE OVEN

R-1880LS-T / R-1880LST-T

FOREWORD

This Manual has been prepared to provide Sharp Electronics Corp. Service Personnel with Operation and Service Information for the SHARP OVER THE RANGE MICROWAVE OVENS.

It is recommended that service personnel carefully study the entire text of this manual so that they will be qualified to render satisfactory customer service.

Check the interlock switches and the door seal carefully. Special attention should be given to avoid electrical shock and microwave radiation hazard.

WARNING

Never operate the oven until the following points are ensured.

- (A) The door is tightly closed.
- (B) The door brackets and hinges are not defective.
- (C) The door packing is not damaged.
- (D) The door is not deformed or warped.
- (E) There is not any other visible damage with the oven.

Servicing and repair work must be carried out only by trained service personnel.

DANGER

Certain initial parts are intentionally not grounded and present a risk of electrical shock only during servicing. Service personnel - Do not contact the following parts while the appliance is energized; High Voltage Capacitor, Power Transformer, Magnetron, High Voltage Rectifier Assembly, High Voltage Harness; If provided, Vent Hood, Fan assembly, Cooling Fan Motor.

All the parts marked "*" on parts list are used at voltages more than 250V.

Removal of the outer wrap gives access to voltage above 250V.

All the parts marked "Δ" on parts list may cause undue microwave exposure, by themselves, or when they are damaged, loosened or removed.

BEFORE SERVICING

Before servicing an operative unit, perform a microwave emission check as per the Microwave Measurement Procedure outlined in this service manual.

If microwave emissions level is in excess of the specified limit, contact SHARP ELECTRONICS CORPORATION immediately @ 1-800-237-4277.

If the unit operates with the door open, service person should 1) tell the user not to operate the oven and 2) contact SHARP ELECTRONICS CORPORATION and Food and Drug Administration's Center for Devices and Radiological Health immediately.

Service personnel should inform SHARP ELECTRONICS CORPORATION of any certified unit found with emissions in excess of 4mW/cm². The owner of the unit should be instructed not to use the unit until the oven has been brought into compliance.

SHARP ELECTRONICS CORPORATION

SHARP PLAZA, MAHWAH,
NEW JERSEY 07430-2135

PARTS LIST

REF. NO.	PART NO.	DESCRIPTION	Q'TY	CODE
ELECTRIC PARTS				
1- 1	FC-QZA622WRKZ	High voltage capacitor assembly	1	AX
1- 2	FPWBF014MRK0	Noise filter	1	AV
1- 3	QFS-TA013WRE0	Temperature fuse 150°C	1	AG
1- 4	RR-WZA031WRE0	Noise resistor	1	AP
1- 5	RMOTDA252WRZZ	Turntable motor	1	AN
1- 6	RMOTDA258WRZZ	Stirrer motor	1	AQ
1- 7	RTHM-A136WRZZ	Thermal cut-out N.O. 60°C	1	AK
1- 8	RTRN-B092MRE0	Power transformer	1	BK
1- 9	RV-MZA363WRZZ	Magnetron	1	BF
1-10	QFSHDA009WRE0	Fuse holder	1	AG
1-11	QSW-MA085WRE0	Secondary interlock, third door sensing and damper switches	3	AF
1-12	FFS-BA033WRKZ	Monitor and sec. interlock switch with fuse assembly	1	AN
1-13	FACCDB011MRE0	Power supply cord	1	AV
1-14	QSOCLE010MRE0	Hood lamp socket	2	AH
1-15	FH-HZA053WRE0	Thermistor	1	AR
1-16	QSOCLE021WRE0	Oven lamp socket	1	AG
1-17	FMOTEA362WRK0	Hood fan motor	1	BL
1-18	RMOTDA256WRZZ	Damper motor	1	AP
1-19	RMOTEB032MRE0	Fan motor	1	AZ
1-20	RLMPA086WRZZ	Hood lamp and oven lamp	3	AL
1-21	FDTCTA217WRKZ	AH sensor	1	AV

CABINET PARTS

2- 1	PFIL-B002MRE0	Grease filter	2	AM
2- 2	FDIF-B020MRK0	Hood exhaust louver	1	BD
2- 3	GDAI-A463WRWZ	Base plate right	1	AQ
2- 4	GDAI-A462WRWZ	Base plate left	1	AM
2- 5	FCABUA989WRKZ	Outer case cabinet	1	BG
2- 6	TMAPCA801WRRZ	Schematic diagram	1	AF
2- 7	FANGKA230WRKZ	Hood lamp glass assembly	1	AU
2- 8	PCOVPA565WRTZ	Base cover	1	BA
2- 9	FDECAB099MRK0	Left Sash assy	1	AY
2-10	LSTY-A122WRWZ	Rear stay	1	AK

CONTROL PANEL PARTS

3- 1	DPWBF146MRU0	Control unit	1	BQ
3- 2	FPNLCB519MRK0A	Control panel sub. assembly	1	BH
3- 3	MSPRTA050WRE0	Open button spring	1	AA
3- 4	MSPRTB025MRE0	Ground spring	1	AE
3- 5	XHPS730P08XS0	Screw; 3mm x 10mm	6	AB
3- 6	FUNTKB466MRE0	Key unit	1	AX
3- 7	LANGQB079MRP0	Key fixing angle	1	AQ

REF. NO.	PART NO.	DESCRIPTION	Q'TY	CODE
OVEN PARTS				
4- 1	FFTA-B004MRK0	Exhaust damper assembly	1	AM
4- 2	FROLPB027MRK0	Turntable support assembly	1	AX
4- 3	NTNT-A114WREZ	Turntable tray	1	BB
4- 4	LANGKB463WRPZ	Capacitor holder	1	AF
4- 5	FCOVPA068WRYZ	Stirrer cover assembly	1	AQ
4- 6	FFAN-A002WRKZ	Stirrer fan assembly	1	AR
4- 7	-----	Oven cavity (not replaceable)	1	-
4- 8	DHET-B002MRK0	Convection heater unit	1	BS
4- 9	NCPL-B007MRF0	Coupling	1	AN
4-10	PFPF-A310WREZ	Heat protect rear	1	AH
4-11	PFPF-A313WREZ	Heat protect bottom	1	AQ
4-12	PPACGA189WREZ	Turntable motor packing	1	AG
4-13	PCUSUA662WRPZ	Cushion	1	AH
4-14	PCUSUA663WRPZ	Cushion	1	AH
4-15	PHOK-A130WRFZ	Latch hook	1	AK
4-16	FANGTA175WRYZ	Unit mounting plate	1	AY
4-17	PCUSGA786WRPZ	Cushion	1	AH
4-18	PCUSUA670WRPZ	Cushion	1	AF
4-19	PCUSUA669WRPZ	Cushion	1	AF
4-20	PDUC-B167WRPZ	Hood intake duct L	1	AK
4-21	NFANPB005MRE0	Fan blade	1	AQ
4-22	LANGTA485WRPZ	Air deflector	1	AH
4-23	FDUC-A506WRKZ	Fan duct	1	AP
4-24	LBSHCA014WRE0	Cord bushing	1	AG
4-25	FDUC-A515WRKZ	Exhaust duct	1	AP
4-26	MLEVPA244WRFZ	Open lever	1	AG
4-27	PCUSGA788WRPZ	Cushion	1	AF
4-28	MCAMPA187WRFZ	Damper cam	1	AF
4-29	PCUSUA666WRPZ	Damper cushion	1	AF
4-30	PFPF-A311WREZ	Heat protect R	1	AM
4-31	PFTA-A041WRPZ	Damper plate	1	AF
4-32	PREFHA091WRWZ	Thermal cover R	1	AQ
4-33	LANGTA486WRPZ	Air flow angle	1	AF
4-34	PREFHA092WRPZ	Thermal cover bottom	1	AP
4-35	LSTPPB024MRF0	Door stopper	1	AF
4-36	PCOVPA558WRWZ	Oven lamp cover	1	AG
4-37	PCOVPA559WRPZ	Heat protect top sheet	1	AK
4-38	PCUSGA789WRPZ	Cushion	1	AF
4-39	PDUC-B162WRFZ	Hood exhaust duct	1	AZ
4-40	PDUC-B165WRPZ	Top duct	1	AR
4-41	PDUC-B164WRFZ	Magnetron duct	1	AH
4-42	PDUC-B166WRPZ	Hood intake duct R	1	AM
4-43	PFILWA035WRE0	Oven light screen	1	AK
4-44	PFPF-A312WREZ	Heat protect top	1	AR
4-45	LANGQA811WRPZ	Noise filter angle	1	AF
4-46	PCUSGA792WRPZ	Air deflector cushion	1	AF
4-47	PCUSUA668WRPZ	Cushion	1	AF

DOOR PARTS

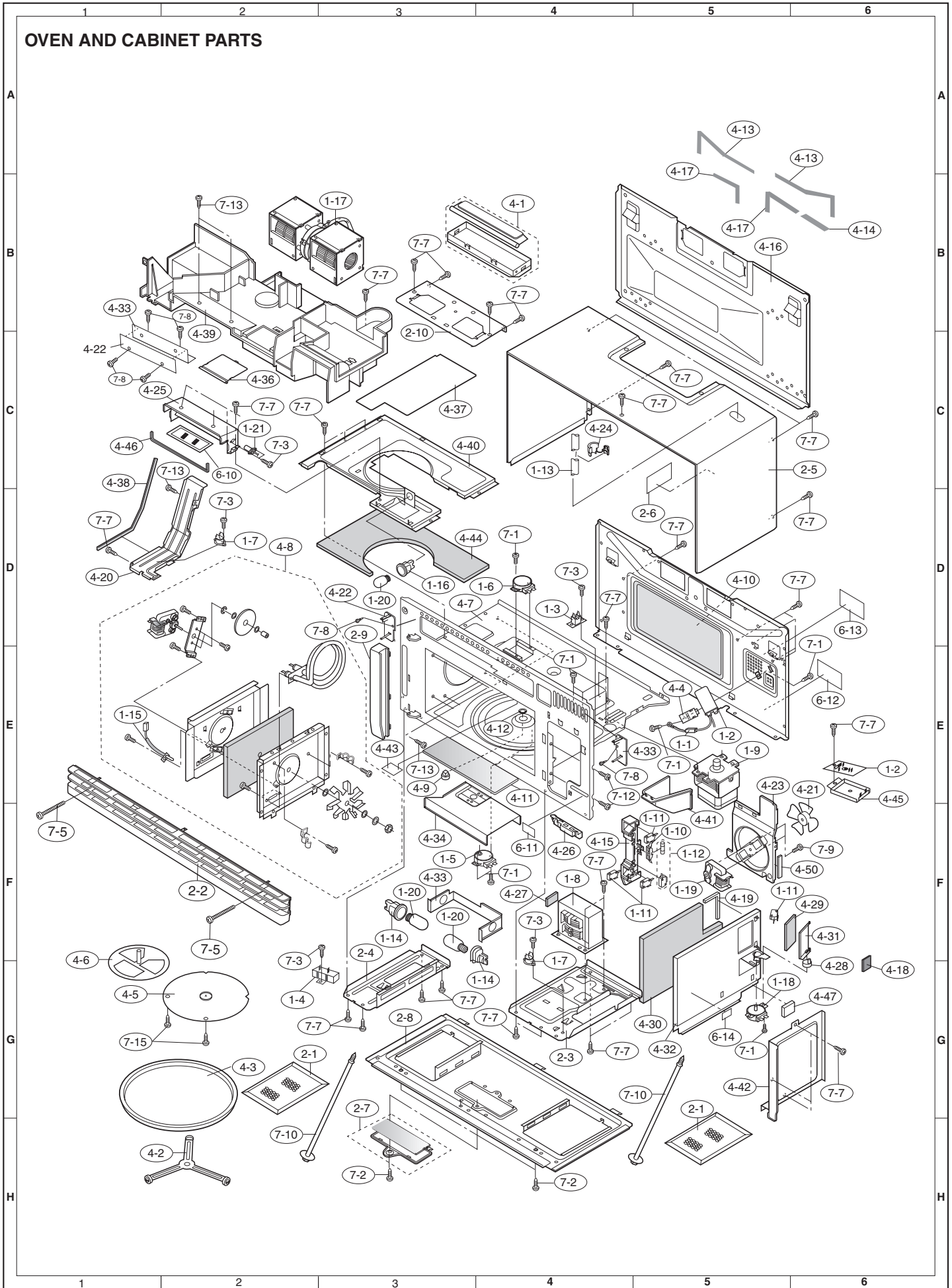
5- 1	CDORFB417MRK0	Door assembly	1	BS
5- 2	GCOVHB031MRF0	Choke cover	1	AX
5- 3	LSTPPB025MRF0	Latch head	1	AH
5- 4	MSPRTA046WRE0	Latch spring	1	AD

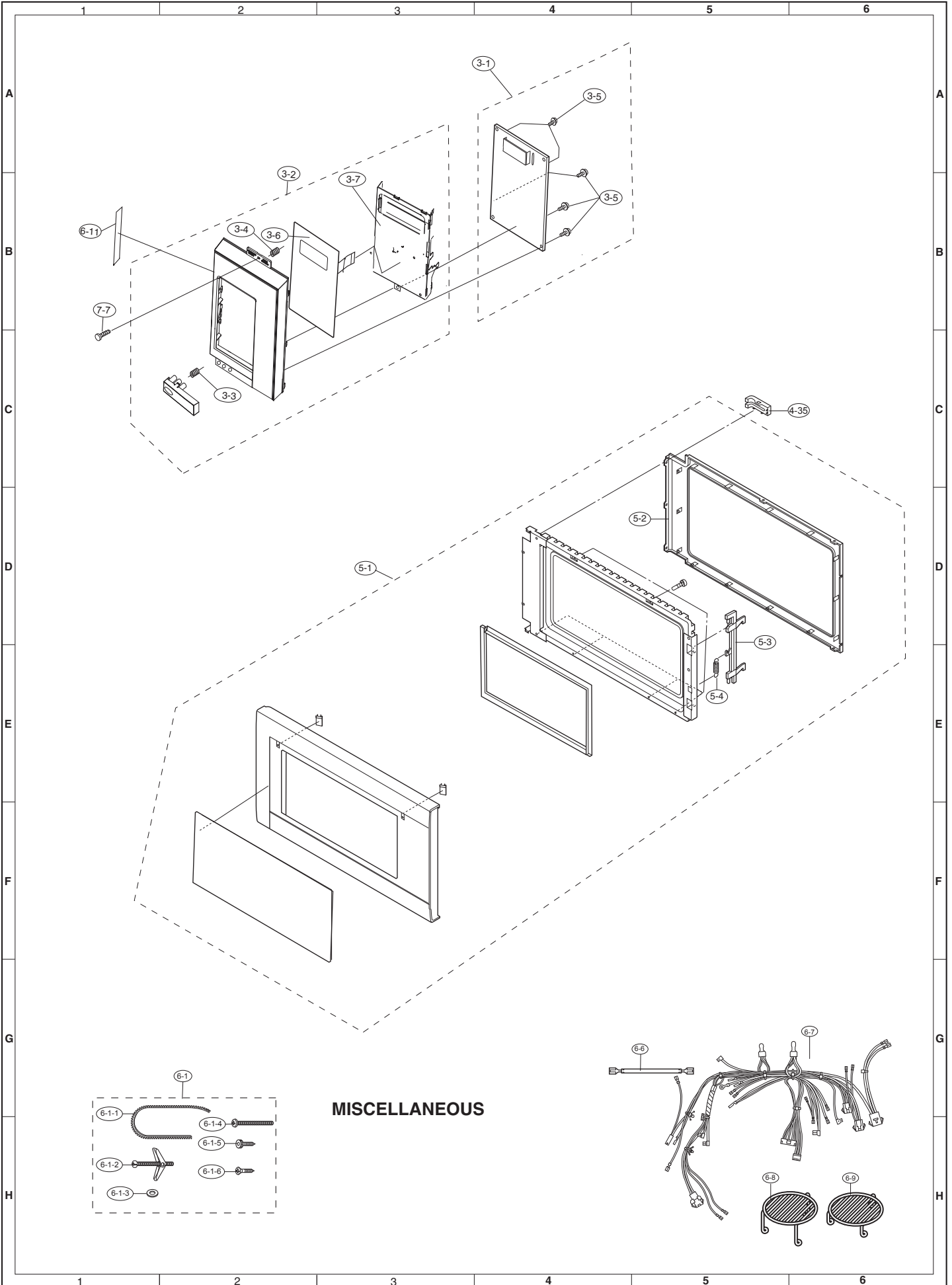
REF. NO.	PART NO.	DESCRIPTION	Q'TY	CODE
MISCELLANEOUS				
6- 1	CFZK-B659WRKZ	Installation material assembly	1	AW
6-1-1	LBSHC0040MRE0	Grommet	1	AF
6-1-2	LX-BZ0195WRE0	Toggle screw	4	AH
6-1-3	XWHS750-16300	Washer	1	AG
6-1-4	XBRS750P60000	Screw : 5mm x 60mm	2	AK
6-1-5	XOTS740P12000	Screw : 4mm x 12mm	1	AB
6-1-6	XTSS750P35000	Screw : 5mm x 35mm	6	AD
6- 2	TINSEB235WRRZ	Installation instruction	1	AR
6- 3	TINSEB241WRRZ	Operation manual	1	AR
6- 4	TINSKA031WRRZ	Top template	1	AK
6- 5	TINSKA032WRRZ	Wall template	1	AK
6- 6	QW-QZB011MRE0	High voltage wire A	1	AF
6- 7	FW-VZC285WREZ	Main harness	1	BG
6- 8	FAMI-B006MRM0	High rack	1	AU
6- 9	FAMI-B005MRM0	Low rack	1	AU
6-10	PFIL-B003MRE0	Charcoal filter	1	AX
6-11	TCAUAA304WRRZ	Caution label	1	AC
6-12	TCAUAA307WRRZ	DHHS service caution label	2	AD
6-13	TCAUAA290WRRZ	NHW caution label	1	AF
6-14	TCAUAA366WRRZ	Monitor caution label	1	AF

SCREWS,NUTS AND WASHERS

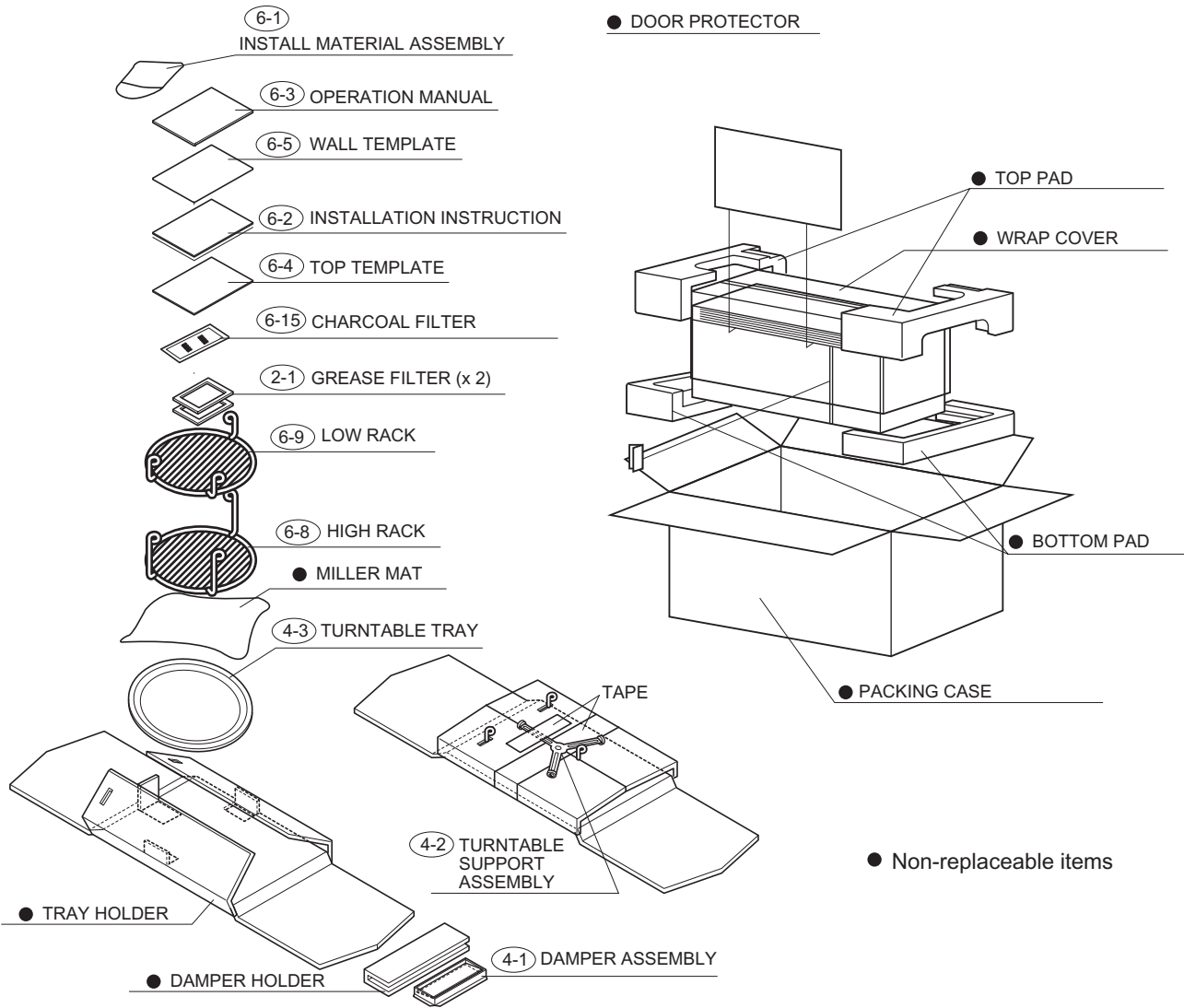
7- 1	XHPS740P08K00	Screw : 4mm x 8mm	5	AC
7- 2	XOTS840P08000	Screw : 4mm x 10mm	4	AB
7- 3	XHPS730P08000	Screw : 3mm x 8mm	4	AC
7- 4	XBTS740P08RV0	Screw : 3mm x 6mm	2	AD
7- 5	LX-CZB025MRE0	Hood louver Screws	2	AE
7- 6	XBTTW40P06000	Screw : 4mm x 6mm	2	AA
7- 7	XOTS740P08000	Screw : 4mm x 12mm	32	AB
7- 8	XHTS740P08000	Screw	4	AC
7- 9	XHTS740P08RV0	Screw	2	AG
7-10	LX-BZB011MRE0	Unit mounting screw	2	AT
7-11	XCBWW30P06000	Screw : 3mm x 6mm	5	AB
7-12	LX-CZ0052WRE0	Special screw	2	AA
7-13	XOTWW40P08000	Screw : 4mm x 8mm	11	AB

OVEN AND CABINET PARTS





PACKING AND ACCESSORIES



SHARP

COPYRIGHT © 2010 BY SHARP CORPORATION

ALL RIGHTS RESERVED.

No part of this publication may be reproduced, stored in retrieval systems, or transmitted in any form or by any means, electronic, mechanical, photocopying, recording, or otherwise, without prior written permission of the publisher.