

# Hisense

life reimagined

## USER'S OPERATION MANUAL

Before operating this unit, please read this manual thoroughly, and retain for future reference

RF20N6ASE

English

## Contents

Brief introduction.....	2	Using your appliance.....	10
Important safety instructions.....	2	Helpful hints and tips.....	12
Installing your new appliance.....	5	Cleaning and care.....	13
Description of the appliance.....	7	Troubleshooting.....	14
Display controls.....	8	Disposal of the appliance.....	15

## Brief introduction

Thank you for your choosing Hisense products. We are sure you will find the new appliance a pleasure to use. Before you start using the appliance, we recommend that you read through this User Manual carefully, which provides description of the refrigerator functions and its usage in more details.

- Please ensure that all people who are using this appliance are familiar with its operations and safety features recommended in this User Manual. It is important that you install the appliance correctly and follow the safety instructions.

- We recommend that you keep this user's manual with the appliance for future reference and retain it for future users.

- This appliance is intended to be used in household and similar applications such as:

- Kitchen area in shops, offices and other working environments;

- Farmhouses, hotels, motels and Bed and breakfast and other residential types of environment;

- Catering and similar non-retail applications.

- If you feel that the appliance is not operating correctly, please refer to the troubleshooting page for most common problem. If still in doubt contact the customer service help line for assistance or to arrange a call out by an authorized service engineer.


## Important safety instructions

### General safety and daily use



It is important to use your appliance safely. We recommend that you follow the guidelines below.

- We recommend that you wait for 4 hours before connecting the appliance to main plug to allow the refrigerant to flow back into the compressor. It is also recommend that you let the fridge run for 3 hours before storing any food inside.

- The packaging material is recyclable, and marked with the recycling symbol . Adhere to current local regulations when disposing of packaging material.

- Do not use sharp-edge object or metal instrument to remove the frost and ice, or any frozen items from the freezer. This might damage the tubing of the refrigerant circuit and create leakage and risk of fire.

- Don't try to repair the appliance yourself. It

is dangerous to alter the specifications or modify this product in any way. Any damage to the power cord may cause short circuit, fire or electric shock.

- Store any food in accordance with the storage instructions from the manufacturer.
- Don't place a large amount of food directly against the air outlet on the rear wall of both the refrigerator and freezer compartment, as it obstructs air circulation.
- Don't place hot items near the plastic components of this appliance.
- Frozen food must not be refrozen once it has been thawed out.
- Don't store bottled or canned drinks (especially carbonated drinks) in the freezer compartment. Bottles and cans may explode.
- Any type of pressurised aerosol containers with the "flammable" and or small flame symbol should not be stored inside the refrigerator or freezer since it may cause an explosion.
- To avoid items falling and causing injury or damage to the appliance, don't overload the door racks or store a large amount of food in the crisper drawers.
- Don't use mechanical devices or other means to accelerate the defrosting process, unless they are approved by the manufacturer.
- If the supply cord is damaged, it must be replaced by the manufacturer, its service agent or similarly qualified persons in order to avoid a hazard.
- When disposing of the appliance, do so only at an authorized waste disposal center. Don't expose to flame.

### Safety for children and infirm persons



- This appliance can be used by children aged from 8 years and above and persons with reduced physical, sensory or mental capabilities or lack of experience and knowledge if they have been given supervision or instruction concerning use of the appliance in a safe way and understand the hazards involved. Children shall not play with the appliance. Cleaning and user maintenance shall not be made by children without supervision.
- Keep all packaging away from children to avoid risk of suffocation.
  - Protect children from being scalded by touching the very hot compressor at the rear bottom of appliance.
  - Don't place items on top of the appliance as this could cause injury should they fall off.
  - Never allow children to play with the appliance by hanging or standing over or on the doors, racks, shelves and drawers etc.

### Safety about electricity



- To avoid the risks that are always present when using an electric appliance, we recommend that you pay attention to the instructions about electricity below.
- We recommend after you unpack the appliance and check through the appliance. Should any damage be evident, don't plug in the appliance but contact the shop immediately from which you purchased it. Keep all packing materials in this case.
  - The appliance must be applied with single phase alternating current of 115V/60Hz.
  - The mains plug must be accessible when the appliance is installed.
  - Make sure that the appliance is grounded properly. If still in doubt, call a qualified registered electrician.
  - If the plug is not suitable for your socket outlets, it should be replaced by a qualified electrician. To avoid a possible

shock hazard, do not insert the discarded plug into a socket. If in doubt contact a qualified, registered electrician.

- Do not use extension cords or multiple sockets which could cause overloading of wiring circuits and could cause a fire.
- Always plug your appliance into its own individual electrical socket which has a voltage rating that matched the rating plate.
- Make sure that the plug is not squashed or damaged. Otherwise, it may cause short circuit, electric shock or overheat and even cause a fire.
- Don't insert the mains plug if the socket is loose, there is a risk of electric shock or fire.
- Switch off the appliance and disconnect it from the main power before you clean or move it.
- Never unplug the appliance by pulling on the electrical cord. Always grip the plug firmly and pull straight out from the socket to prevent damaging the power cord.
- Don't use the appliance without the light cover of interior lighting.
- Any electrical component must be replaced or repaired by a qualified electrician or authorized service engineer. Only genuine spares should be used.
- Don't use electrical appliances (such as ice cream makers) inside the food storage compartments of the appliance, unless they are approved by the manufacturer.
- If the LED light uncovered, do not look direct into with an optical instruments to avoid eye injuries. If it is not functioning correctly, consult a qualified registered electrician.

#### **The refrigerant and risk of fire**

The appliance contains a small quantity of refrigerant (**R600a**) in the refrigerant circuit.

- The iso-butane (**R600a**) refrigerant, is environmentally friendly but flammable, ensure that tubing of the refrigerant circuit is not damaged during transportation and installation to avoid risk of fire caused by leaking refrigerant.

#### **Caution!**



Keep away burning candles, lamps and other items with naked flames and sources of ignition

from the appliance and ventilate the room thoroughly to avoid the risk of fire and eye injury in the case of any leakage of refrigerant (R600a).

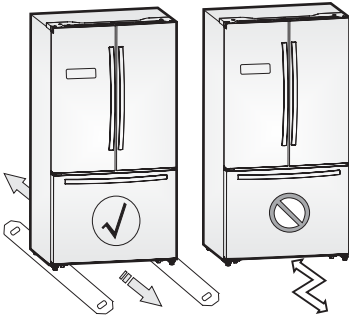
- Do not store products which contain flammable propellants (e.g. spray cans) or explosive substances in the appliance.

## Installing your new appliance

This section explains the installation of the new appliance before using it for the first time. We recommend reading the following tips.



For proper installation, this refrigerator must be placed on a level surface of hard material that is the same height as the rest of the flooring. This surface should be strong enough to support a fully loaded refrigerator, or approximately **294 lbs (133 kg)**. When moving, be sure to pull out and push back the unit in straight.



### Location and ambient room temperature limits

It's essential to find a suitable place to locate your new appliance to ensure its efficient operation. Please consider the following instruction for your appliance:

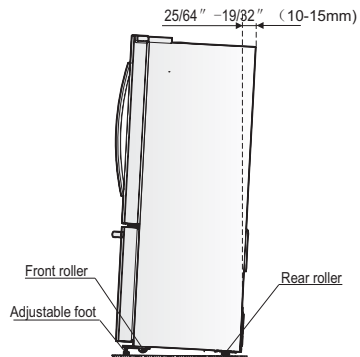
- Install the appliance in a dry and low moisture area. The best range of ambient temperature for appliance is 55° F to 110° F.
- Keep the appliance away from heat sources, such as stoves, fires places or heaters.
- Keep the appliance out of direct sunlight, and rain.

Class	Symbol	Ambient Temperature range(°F)
Extended Temperate	SN	50 to 90
Temperate	N	61 to 90
Subtropical	ST	61 to 100
Tropical	T	61 to 109

### Leveling of appliance

For proper leveling and avoid vibration, this appliance is provided with adjustable feet in front. Please adjust the level by following below instructions:

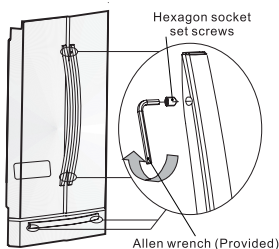
1. Roll the refrigerator into place.
2. Turn the adjustable feet (with your fingers or a suitable spanner) until they touch the floor.
3. Tilt back the top backwards for about 25/64-19/32 inch (10-15 mm) by turning the feet 1~2 turn further. This will allow the doors to self-close and seal properly.
4. Whenever you want to move the appliance, remember to turn the feet back up so that the appliance can roll freely. Reinstall the appliance when relocating.



**Warning:** The rollers, which are not castors, should be only used for forward or backward movement. Moving the refrigerator sideways may damage your floor and the rollers.

### Fixing the door handle

If handles are to be fixed, please use an Allen wrench clockwise until handles are securely in place. Each one of the handles is fitted with 2 screws.



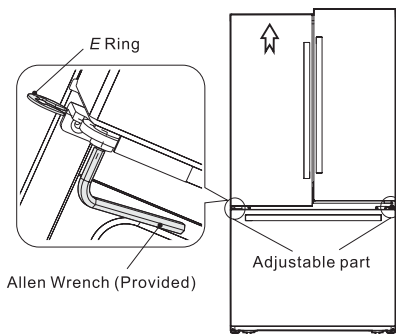
#### The tools you will need (Not provided):

Allen Wrench(3mm) (1/8") ( Provided)	Wrench(8mm)
Philips screwdriver	Flat-blade screwdriver

### Adjusting the doors

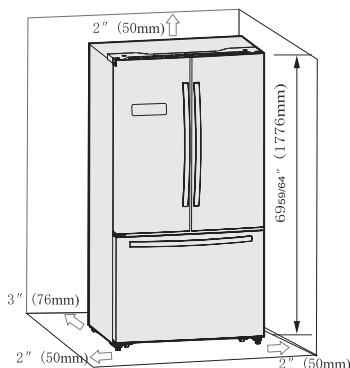
● Both left and right doors are equipped with adjustable axes, which are located in the lower hinges.

● Before adjusting its doors, please ensure that the refrigerator is level. Please review the previous section on "Leveling appliance". If you find the top of the doors are uneven, insert the Allen wrench into the hinge axis, and turn it clockwise to rise the door or anticlockwise to lower the door, and insert an E Ring into the gap.

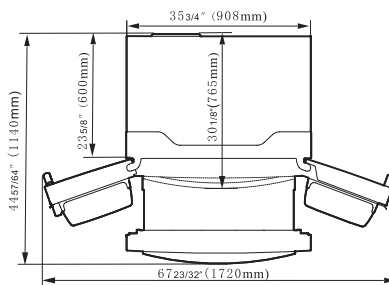


### Ventilation of appliance

In order to improve efficiency of the cooling system and save energy, it is necessary to maintain proper ventilation around the appliance for heat dissipation. For this reason, sufficient space should be provided around the refrigerator and the area should be clear of any obstruction that affects the air circulation.



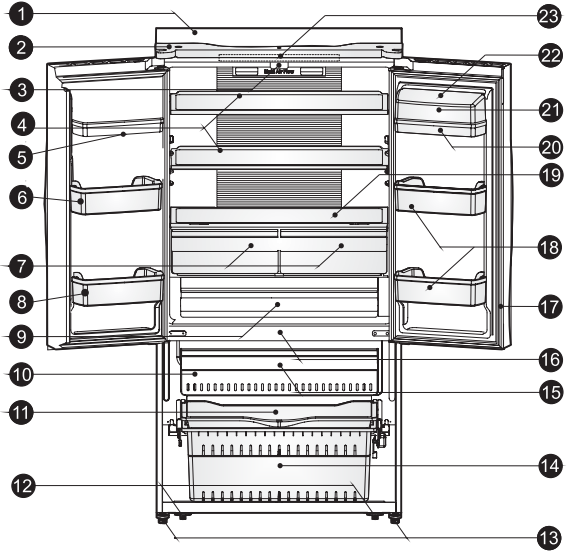
**Suggestion:** It is advisable leaving at least 3 inch(75mm) of clearance from the back of appliance to the wall, and at least 2 inch(50mm) from top, and on both sides. When positioned in a corner area, provide a clear space at least 16 inch(406mm) on the each hinge side to allow the doors to open enough to enable the removal of drawers and shelves. As shown in the following diagram.



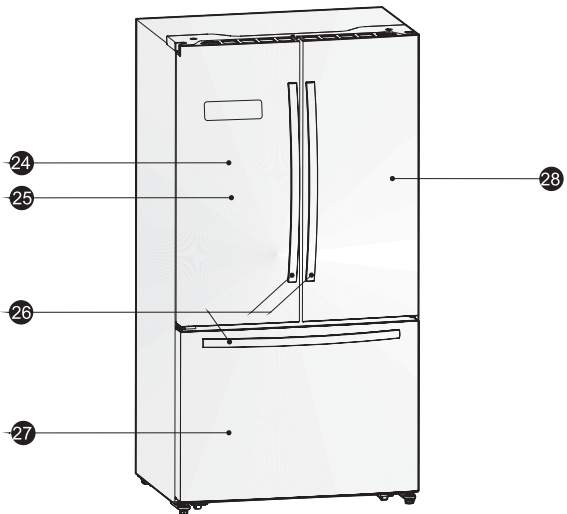
## Description of the appliance

- 1 Cabinet
- 2 Top cover
- 3 Vertical baffle guide block
- 4 Glass shelf
- 5 Upper rack
- 6 Lower rack
- 7 Fruit and vegetables crisper
- 8 Lower rack
- 9 Multifunctional room
- 10 Twistable ice tray (inside)
- 11 Serving tray
- 12 Rollers
- 13 Adjustable bottom feet
- 14 Lower freezer drawer
- 15 Upper freezer drawer
- 16 Freezer LED light (inside)
- 17 Refrigerator door seal
- 18 Lower rack
- 19 Crisper cover
- 20 Upper rack
- 21 Egg tray (inside)
- 22 Rack cover
- 23 Refrigerator LED light (inside)
- 24 Display board
- 25 Cold water dispenser
- 26 Handles
- 27 Freezer door
- 28 Refrigerator door

View 1 of the appliance



View 2 of the appliance



**Note:** Due to constant improvement of our products, your refrigerator may be slightly different from the above illustration, but its functions and using methods remain the same.

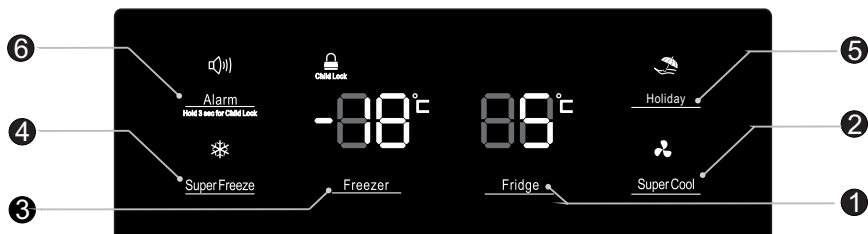
**Note:** To get the best energy efficiency of this product, please place all shelves, drawers and baskets on their original position as the illustration above.

## Display controls

All functions and controls of the unit are accessible from a control panel conveniently located on the door of the refrigerator. A keypad of touch buttons and a digital display allow easy configuration of features and settings in a simple and intuitive manner.

**Important!** Touch buttons require only a short press on a button to operate. The operation occurs when releasing your finger from the button, not while the button is pressed. There is no need for applying pressure on the keypad. Child Lock function related to the "Alarm" button requires a long touch of a least 3 sec. Please refer to those related sections of this Manual for detailed instructions.

The control panel consists of two indicating temperature areas, five icons representing different modes and six touch buttons. When the appliance is powered on for the first time, the backlight of the icons on display panel turns on. If no buttons have been pressed and the doors remains closed, the backlight will turn off after 60 sec.



### Controlling the temperature

We recommend that when you start your refrigerator for the first time, the temperature for the refrigerator is set to  $5^{\circ}\text{C}(41^{\circ}\text{F})$  and the freezer to  $-18^{\circ}\text{C}(-0.4^{\circ}\text{F})$ . If you want to change the temperature, follow the instructions below.

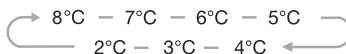
#### Caution!

When you set a temperature, you set an average temperature for the whole refrigerator cabinet. Temperatures inside each compartment may vary from the temperature values displayed on the panel, depending on how much food you store and where you place them. Ambient temperature may also affect the actual temperature

#### 1. Fridge

Press "Fridge" button repeatedly to set your desired fridge temperature between  $8^{\circ}\text{C}(46.4^{\circ}\text{F})$  and  $2^{\circ}\text{C}(35.6^{\circ}\text{F})$ , the temperature will decrease  $1^{\circ}\text{C}(32^{\circ}\text{F})$  degrees with each press and the fridge temperature indicator will display

corresponding value according to the following sequence.



#### 2. Super Cool



Super Cool can refrigerate the food quicker and keep food fresh for a longer period.

- Press "Super Cool" button to activate this function. The Super Cool icon will light up and the Fridge temperature indicator will display  $2^{\circ}\text{C}(35.6^{\circ}\text{F})$ .

Super cool automatically switches off after 6 hours.

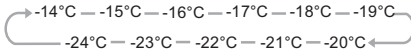
- Press "Super Cool" or "Fridge" to cancel super cool mode and revert to previous temperature settings.

#### 3. Freeze

Press "Freezer" button to set the freezer temperature between  $-14^{\circ}\text{C}(6.8^{\circ}\text{F})$  and  $-24^{\circ}\text{C}(-11.2^{\circ}\text{F})$  to suit your desired temperature, and the



freezer temperature indicator will display corresponding value according to the following sequence.



#### 4. Super Freeze



Super Freeze can rapidly lower frozen temperature and freeze your food substantially faster than usual. This feature also helps to keep the vitamins and nutrition of fresh food for longer period.

- Press "Super Freeze" button to activate the super freeze function. The Super Freeze light will be illuminated and the freezer temperature setting will display **-24°C(-11.2°F)**.

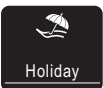
- For first time use, or after a period of inactivity, allow 6 hours of normal operation before using Super Freeze mode. This is particularly important if a large amount of food is placed in the freezer.

- Super freeze automatically switches off after 26 hours of usage and the freezer temperature goes to below **-20°C(-4°F)**.

- Press "Super Freeze" or "Freezer" to cancel Super Freeze mode and revert to previous temperature settings.

**Note:** When selecting the Super Freeze function, ensure there are no bottled or canned drinks (especially carbonated drinks) in the freezer compartment. Bottles and cans may explode.

#### 5. Holiday



This function is designed to minimise the energy consumption and electricity bills while the Fridge is not in use for a long period of time. You can activate this function by pressing "Holiday" button for a short until the Holiday light icon is illuminated.

**Important!** Do not store any food in the refrigerator chamber during this time.

- When the holiday function is activated, the temperature of the refrigerator is automatically switched to **15°C(59°F)** to minimise the energy consumption. The refrigerator temperature setting displays "-" and the freezer compartment remains on.

- Press "Holiday" button to cancel Holiday mode and revert to previous temperature settings.

#### 6. Alarm



In case of alarm, "Alarm" icon will light up and a buzzing sound will start.

Press "Alarm" button to stop alarm and buzzing then "Alarm" icon will turn off.

**Caution!** When the refrigerator is turned on after a period of inactivity, the Alarm may be activated. In this case, press "Alarm" button to cancel it.

#### Door Alarm

The alarm light on and a buzzing sound indicate abnormal conditions, such as accidentally a door left open or that a power interruption to the unit has occurred.

- Leaving any door of refrigerator or freezer open for over 2 minutes will activate a door alarm and buzzer. The buzzer will beep 3 times per minute for 10 minutes. Closing the door cancels the door alarm and buzzer.

- To save energy, please avoid keeping doors open for a long time when using refrigerator. The door alarm can also be cleared by closing the doors.

#### Temperature alarm

This is an important feature that alerts users of potential damage to stored food. If a power failure occurs, for example a blackout in your area of residence while you are away, the temperature alarm will memorize the temperature of the freezer when power was restored to the unit; this is likely to be the maximum temperature reached by frozen items.

#### °C/°Fchange

The temperature can be changed between °C and °F by pressing "Holiday" button for 3 seconds.

A temperature alarm condition will be indicated by Alarm light and buzzer when the temperature reading is warmer than  $-9^{\circ}\text{C}$  ( $15.8^{\circ}\text{F}$ ), then

- a- The Alarm icon lights up;
- b- The freezer temperature indicator displays "H";
- c- The buzzer beeping 10 times when the alarm is triggered and stop automatically.

### Child Lock



Press and hold the "Alarm" button for 3 seconds to activate the child lock.

This will disable the display to prevent accidental changes to settings. Meanwhile, the "Child Lock" icon will be illuminated.

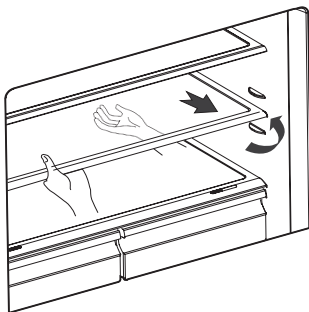
- To turn the child lock off, press and hold the "Alarm" button for 3 seconds. The "Child Lock" icon will be turned off.

## Using your appliance

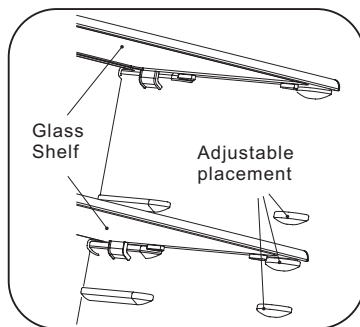
This section explains that how to use the refrigerator features. We recommend that you read through carefully before using the appliance.

### Glass shelves

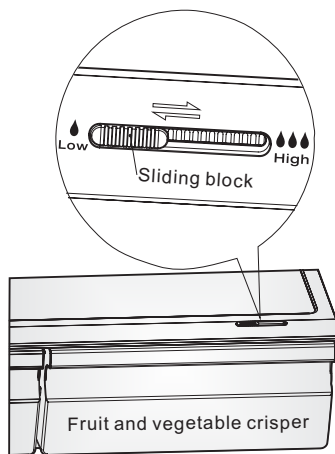
The refrigerator chamber is provided with two glass shelves. While the top shelf is designed to be fixed, the lower shelf is adjustable. There are three placements for relocating the lower shelf. Adjust the height of the shelf according to your need:



- When removing the shelves, gently pull them forward until they exit the guides.
- When you return the shelves, make sure there is no obstacle behind and gently push them into the position.



### Crisper and humidity control



The crisper, mounted on telescopic extension slides, is for storing vegetables and fruits. You can adjust the humidity inside by using the sliding block.

- The humidity control adjusts the airflow in the crisper; higher airflow results in lower humidity. Slide the humidity control to the right in order to increase humidity.

- High humidity settings are recommended for vegetables, while low humidity is suitable for preservation of fruit.

- Follow these simple instructions to remove the crisper chamber, or freezer drawer, for cleaning. Empty the crisper chamber; pull it out to fully open position. Lift the crisper from the lateral slides. Push the slides fully in to avoid damage when closing the door.

### Using the refrigerator chamber

The refrigerator chamber is suitable for storage of vegetable and fruits. Separate packing of different foods is recommended to avoid losing moisture or flavour permeating into other foods.

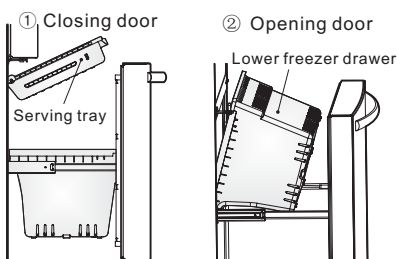
#### Caution!

Never close doors while the shelves, crisper and/or telescopic slides are extended. It may damage the unit.

### Using the freezer drawer

Freezer drawer is suitable for storing food required to be frozen, such as meat, ice cream, etc.

To remove the freezer drawer pull it out fully, tilt up the serving tray and lift it out, then open the refrigerator doors to the maximum angle and the lower freezer drawer can be taken out, as shown in the following pictures.



### Caution

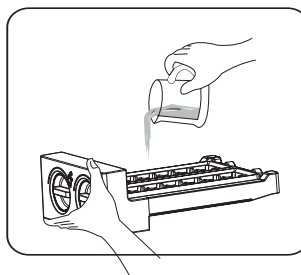
Do not allow babies or children go inside the refrigerator, as they could injure themselves or damage the refrigerator. Do not sit on the freezer door. The door may break. Do not allow children to climb into the freezer basket.

If you remove the divider to clean the basket bin, you must reinstall the divider after cleaning to prevent children from getting trapped inside the basket.

### Twistable ice tray

- Twistable ice tray is placed in the upper freezer drawer to make and store ice cubes.

1. Pull out the twistable ice tray from the installation bracket.
2. Fill with drinking water below the maximum level mark.
3. Place the filled ice tray back to the bracket.
4. Await for around 3 hours, twist the knobs clockwise and the ice will drop into the ice box below.



5. Ice cubes can be stored in the ice box, if you need them, you can pull out the ice box and take them out.

**Note:** If the ice tray is used for the first time or has not been used for a long time, please clean it before using.

## Helpful hints and tips

### Energy saving tips

We recommend that you follow the tips below to save energy.

- Try to avoid keeping the door open for long periods in order to conserve energy.
- Ensure the appliance is away from any sources of heat (Direct sunlight, electric oven or cooker etc).
- Don't set the temperature colder than necessary.
- Don't store warm food or evaporating liquid in the appliance.
- Place the appliance in a well ventilated, humidity free, room. Please refer to Installing your new appliance chapter.
- View 1 under the "Description of the appliance" section shows the correct arrangement for the drawers, crisper and shelves, do not adjust the combination as this is designed to be the most energy efficient configuration.

### Hints for fresh food refrigeration

- Do not place hot food directly into the refrigerator or freezer, the internal temperature will increase resulting in the compressor having to work harder and will consume more energy.
- Do cover or wrap the food, particularly if it has a strong flavor.
- Place food properly so that air can circulate freely around it.

### Hints for refrigeration

- Meat (All Types) Wrap in polythene food: wrap and place on the glass shelf above the vegetable drawer. Always follow food storage times and use by dates suggested by manufacturers.
- Cooked food, cold dishes, etc.: They should be covered and may be placed on any shelf.
- Fruit and vegetables: They should be stored in the special drawer provided.
- Butter and cheese:

Should be wrapped in airtight foil or plastic film wrap.

- Milk bottles:

Should have a lid and be stored in the door racks.

### Hints for freezing

- When first starting-up or after a period out of use, let the appliance run at least 2 hours on the higher settings before putting food in the compartment.
- Prepare food in small portions to enable it to be rapidly and completely frozen and to make it possible to subsequently thaw only the quantity required.
- Wrap up the food in aluminum foil or polyethylene food wraps which are airtight.
- Do not allow fresh, unfrozen food to touch the food which is already frozen to avoid temperature rise of the latter.
- Iced products, if consumed immediately after removal from the freezer compartment, will probably cause frost burns to the skin.
- It is recommended to label and date each frozen package in order to keep track of the storage time.

### Hints for the storage of frozen food

- Ensure that frozen food has been stored correctly by the food retailer
- Once defrosted, food will deteriorate rapidly and should not be re-frozen. Do not exceed the storage period indicated by the food manufacturer.

### Switching off your appliance

If the appliance needs to be switched off for an extended period, the following steps should be taken to prevent mould on the appliance.

1. Remove all food.
2. Remove the power plug from the main socket.
3. Clean and dry the interior thoroughly.
4. Ensure that all the doors are wedged open slightly to allow air to circulate.

## Cleaning and care

For hygienic reasons the appliance (including exterior and interior accessories) should be cleaned regularly at least every two months.

**Caution!** The appliance must not be connected to the mains during cleaning. Danger of electrical shock! Before cleaning switch the appliance off and remove the plug from the mains socket.

### Exterior cleaning

To maintain good appearance of your appliance, you should clean it regularly.

-Wipe the digital panel and display panel with a clean, soft cloth.

-Spray water onto the cleaning cloth instead of spraying directly on the surface of the appliance. This helps ensure an even distribution of moisture to the surface.

-Clean the doors, handles and cabinet surfaces with a mild detergent and then wipe dry with a soft cloth.

### Caution!

-Don't use sharp objects as they are likely to scratch the surface.

-Don't use Thinner, Car detergent, Clorox, ethereal oil, abrasive cleansers or organic solvent such as Benzene for cleaning. They may damage the surface of the appliance and may cause fire.

### Interior cleaning

● You should clean the appliance interior regularly. It will be easier to clean when food stocks are low. Wipe the inside of the fridge freezer with a weak solution of bicarbonate of soda, and then rinse with warm water using a wrung-out sponge or cloth. Wipe completely dry before replacing the shelves and baskets.

Thoroughly dry all surfaces and removable parts.

● Although this appliance automatically defrosts, a layer of frost may occur on the freezer compartment's interior walls if the freezer door is opened frequently or kept open too long. If the frost is too thick, choose a time when the supply of food stocks are low and proceed as follows:

1. Remove existing food and accessories baskets, unplug the appliance from the mains power and leave the doors open. Ventilate the room thoroughly to accelerate the thawing process.

2. When defrosting is completed, clean your freezer as described above.

**Caution!** Don't use sharp objects to remove frost from the freezer compartment. Only after the interior is completely dry should the appliance be switched back on and plugged back into the mains socket.

### Door seals cleaning

Take care to keep door seals clean. Sticky food and drinks can cause seals to stick to the cabinet and tear when you open the door. Wash seal with a mild detergent and warm water. Rinse and dry it thoroughly after cleaning.

**Caution!** Only after the door seals are completely dry should the appliance be powered on.

### Warning!

The LED light must not be replaced by the user! If the LED light is damaged, contact the customer helpline for assistance.

## Troubleshooting

If you experience a problem with your appliance or are concerned that the appliance is not functioning correctly, you can carry out some easy checks before calling for service, please see below. You can carry out some easy checks according to this section before calling for service.


**Warning!** Don't try to repair the appliance yourself. If the problem persists after you have made the checks mentioned below, contact a qualified electrician, authorized service engineer or the shop where you purchased the product.

Problem	Possible cause & Solution
Appliance is not working correctly	Check whether the power cord is plugged into the power outlet properly.
	Check the fuse or circuit of your power supply, replace if necessary.
Odours from the compartments	It is normal that the freezer is not operating during the automatic defrost cycle, or for a short period of time after the appliance is switched on to protect the compressor.
	The interior of the refrigerator may need to be cleaned.
Noise from the appliance	Some food, containers or wrapping cause odours.
	The sounds below are quite normal: <ul style="list-style-type: none"> <li>● Compressor running noises.</li> <li>● Air movement noise from the small fan motor in the freezer compartment or other compartments.</li> <li>● Gurgling sound similar to water boiling.</li> <li>● Popping noise during automatic defrosting.</li> <li>● Clicking noise before the compressor starts.</li> </ul>
	Other unusual noises are due to the reasons below and may need you to check and take action: The cabinet is not level. The back of appliance touches the wall. Bottles or containers fallen or rolling.
The motor runs continuously	It is normal to frequently hear the sound of the motor, it will need to run more when in following circumstances: <ul style="list-style-type: none"> <li>● Temperature setting is set colder than necessary</li> <li>● Large quantity of warm food has recently been stored within the appliance.</li> <li>● The temperature outside the appliance is too high.</li> <li>● Doors are kept open for a long period.</li> <li>● After your installing the appliance or it has been switched off for a long time.</li> </ul>
A layer of frost occurs the compartment	Check that the air outlets are not blocked by food and ensure food is placed within the appliance to allow sufficient ventilation. Ensure that door is fully closed. To remove the frost, please refer to "cleaning and care" section.

Temperature inside is too warm	You may have left the doors open too long or too frequently; or the doors are kept open by some obstacle; or the appliance is located with insufficient clearance at the sides, back and top.
Temperature inside is too cold	Increase the temperature by following the "Display controls" chapter.
Doors can't be closed easily	Check whether the top of the refrigerator is tilted back by 10-15mm to allow the doors to self close, or if something inside is preventing the doors from closing.
Water drips on the floor	The water pan (located at the rear bottom of the cabinet) may not be properly leveled, or the draining spout (located underneath the top of the compressor depot) may not be properly positioned to direct water into this pan, or the water spout is blocked. You may need to pull the refrigerator away from the wall to check the pan and spout.
The light is not working	The LED light may be damaged. Refer to replace LED lights in cleaning and care chapter. The control system has disabled the lights due to the door being kept open too long, closed and reopens the door to reactivate the lights.
Doors does not open smoothly	Check the door seal, and if it is necessary clean the rubber gasket seal around the edges of the door using dish soap and warm water. Dirt and grime can collect here and cause door stick to the fridge.

## Disposal of the appliance

The refrigerator is built from reusable materials. It must be disposed of in compliance with current local waste disposal regulations. The appliance contains a small quantity of refrigerant (R600a) in the refrigerant circuit. For your safety please refer to the section of "the refrigerant and risk of fire" in this Instruction Manual before scrapping the appliance. Please cut off the power cord to make the refrigerator unusable and remove the door seal and lock. Please be cautious of the cooling system and do not damage it by puncturing the refrigerant container and/or bending the tubing, and/or scratching of the surface coating.

Correct Disposal of this product	
	<p>This symbol on the product or in its packing indicates that this product may not be treated as household waste. Instead, it should be taken to the appropriate waste collection point for the recycling of electrical and electronic equipment. By ensuring this product is disposed of correctly, you will help prevent potential negative consequences for the environment and human health, which could otherwise be caused by the inappropriate waste handling of this product. For more detailed information about the recycling of this product, please contact your local council your household waste disposal service, or the shop where you purchased the product.</p>

## Warranty for Full-size Refrigeration

### ONE-YEAR LIMITED MANUFACTURER'S IN-HOME SERVICE WARRANTY

This Warranty, provided by Hisense U.S.A. Corporation (hereinafter "Hisense") covers Full-size Refrigeration product (hereinafter "Product") in the United States of America, Puerto Rico, Guam and the U.S. Virgin Islands only, excluding any third party provided accessories and/or add-on's purchased separately;

This warranty shall apply solely when this Product is purchased, stored, transported, handled, operated and maintained according to the Hisense provided instructions attached to or furnished with the Product. Hisense will, in its sole determination, repair or refund units deemed defective solely for materials or workmanship, at Hisense's discretion, for a limited warranty period of:

One (1) year for Parts and Labor on Product from the date of purchase ( requires purchase receipt) for the original buyer only, and

Five (5) years Parts and Labor on sealed cooling system only\* from the date of purchase (requires proof of purchase) for the original buyer only.  
(\*Compressor, evaporator, condenser, drier, connecting tubing – all other parts are excluded from this warranty)

Commercial and/or Rental use of this Product is not covered under this warranty .

#### WHAT IS NOT COVERED:

1. Any non-Hisense parts, including any third party provided accessories and/or add-on's;
2. Service calls to correct the installation of the Product, instruction on how to use the Product, replacement of home fuses or resetting circuit breakers, replacing or correcting home wiring.
3. Service calls related to use for other than normal, single family household use.
4. Damages of any kind resulting from accidents, alterations, misuse, abuse, fire, floods, acts of God, improper installation, installation not in accordance with electrical or plumbing codes, or use of products/accessories not approved by Hisense in writing.
5. Service outside of the United States, the Virgin Islands, Guam and Puerto Rico.
6. Service or support for units resulting from unauthorized modifications made to the Product.
7. Food or drink loss due to any sealed cooling system failures .Service calls to repair or replace light bulbs, air filters, water filters, other consumables, knobs, handles, or other cosmetic parts.
8. Damages caused by services performed by owner, service companies not authorized by Hisense in writing, the use of parts other than genuine Hisense parts, or parts obtained from entities other than Hisense authorized service companies.

Obligations for service and parts under this warranty must be performed by Hisense or a



Hisense authorized service company. Product features or specification as described or illustrated are subject to change without notice.

#### DISCLAIMER OF IMPLIED WARRANTIES: LIMITATION OF REMEDIES

Exclusions and Limitations: This Warranty covers manufacturing defects in materials and workmanship encountered in the normal, noncommercial use of the Product, and does not cover consumer instruction, delivery, installation, set-up, adjustments, cosmetic damage or damage due to acts of nature, accident, misuse, abuse, negligence, commercial use or modification of or to any part of the Product. This Warranty applies to the original consumer only and does not cover Products sold to consumers in used, "AS IS" or "WITH ALL PROBLEMS" condition, or consumables (e.g., fuses, batteries, bulbs etc.); This Warranty is invalid if the factory-applied serial number has been altered or removed from the Product. Damage occurring to any Product returned for service that is caused by environmental hazards, improper or unsecure packaging or shipping by the original consumer purchaser is excluded from coverage under this Warranty. This Warranty is valid only in the United States, the U.S. Virgin Islands, Guam, and Puerto Rico, and only applies to Products purchased and serviced in those regions. Warranty will be voided if attempts of repair are performed by the consumer or any third parties that are NOT authorized by Hisense in writing.

THERE ARE NO EXPRESS WARRANTIES OTHER THAN THOSE EXPRESSLY DESCRIBED ABOVE, AND NO WARRANTIES WHETHER EXPRESS OR IMPLIED, INCLUDING, BUT NOT LIMITED TO, ANY IMPLIED WARRANTIES OF MERCHANTABILITY OR FITNESS FOR A PARTICULAR PURPOSE, SHALL APPLY AFTER THE EXPRESS WARRANTY PERIOD STATED ABOVE, AND NO OTHER EXPRESS WARRANTY OR GUARANTY GIVEN BY ANY PERSON, FIRM OR ENTITY WITH RESPECT TO THE PRODUCT SHALL BE BINDING ON HISENSE. THIS WARRANTY IS THE SOLE AND EXCLUSIVE WARRANTY WITH RESPECT TO THE PRODUCT AND HISENSE IS THE EXCLUSIVE WARRANTY PROVIDER FOR THE PRODUCT. REPAIR OR REFUND, AT HISENSE'S SOLE DISCRETION, IS THE EXCLUSIVE REMEDY OF THE CONSUMER. HISENSE SHALL NOT BE LIABLE FOR ANY INCIDENTAL OR CONSEQUENTIAL DAMAGES CAUSED BY THE USE, MISUSE OR INABILITY TO USE THE PRODUCT. NOTWITHSTANDING THE FOREGOING, CONSUMER'S RECOVERY AGAINST HISENSE SHALL NOT EXCEED THE PURCHASE PRICE OF THE PRODUCT SOLD BY HISENSE. THIS WARRANTY SHALL NOT EXTEND TO ANYONE OTHER THAN THE ORIGINAL CONSUMER WHO PURCHASED THE PRODUCT AND IS NOT TRANSFERABLE UNDER ANY CIRCUMSTANCES. PROOF OF PURCHASE SHALL BE REQUIRED FOR ALL WARRANTY CLAIMS.

If you need assistance, first see the "Troubleshooting" section of your instruction manual; After checking "Troubleshooting," additional help can be found by calling:

Hisense-USA: 1-877-465-3566(English & Spanish, Monday–Friday 9 a.m. to 6 p.m. EST)

Keep this Warranty page and your sales receipts together for future reference. You must provide proof of purchase for warranty service.

Write down the following information about your appliance to better help you obtain

assistance or service if you should ever need it. You will need to know your complete model and serial number. You can find this information on the model and serial number label located on the Product.

Store name: \_\_\_\_\_ Model number: \_\_\_\_\_  
Address: \_\_\_\_\_ Serial number: \_\_\_\_\_  
Phone number: \_\_\_\_\_ Purchase date: \_\_\_\_\_

#### USER GUIDE SUPPORT PAGE ASSISTANCE OR SERVICE

Before calling for assistance or service, please check the troubleshooting section of your user manual. It may save you the cost of a service call. If you still need help, follow the instructions below. When calling, please know the purchase date and the complete model and serial number of your appliance. This information will help us to better respond to your request. If you need to order replacement parts, we recommend that you use only factory-specified replacement parts. Factory-specified replacement parts will fit right and work right because they are made with the same precision used to build every new

The Hisense Call Center can provide assistance with:

- Features and specifications on our appliances
- Installation information
- Use and maintenance procedures
- Repair parts sales
- Referrals to service companies.
- Designated service technicians are trained to fulfill the product warranty and provide after-warranty service, anywhere in the United States and US territories.

For further assistance

If you need further assistance, you can write with any questions or concerns to:

Hisense USA Corp.  
Customer Service  
PO Box 3289  
Suwanee, GA 30024  
USA

Please include a daytime phone number in your correspondence.

#### PRODUCT REGISTRATION

To better safeguard your product, please log on to



[www.hisense-usa.com/support/productReg.asp](http://www.hisense-usa.com/support/productReg.asp) to register your product.

*The Benefits of Product Registration:*

**Product Update**

Proper registration will enable Hisense to contact you of safety notifications, updates, accessories, or other product changes.

**Proof of Ownership**

In the case of an insurance loss such as fire, flood, or theft, your registration will serve as your proof of purchase.

**Better Service**

If you have any questions about your new Hisense product, your registration will help us assist you.



# Hisense

life reimagined

## **MANUAL DE OPERACIÓN DEL USUARIO**

Antes de operar esta unidad, por favor lea este manual completamente y presérvelo para la referencia futura.

RF20N6ASE

**Español**

## Tabla de Contenido

Breve introducción.....	2	Utilización del electrodoméstico.....	12
Instrucciones de seguridad importantes.	2	Consejos y Sugerencias útiles.....	15
Instalación del nuevo electrodoméstico..	6	Limpieza y cuidado.....	16
Descripción del electrodoméstico.....	9	Solución de problemas.....	18
Controles de la pantalla.....	10	Eliminación del electrodoméstico.....	20

## Breve introducción

Gracias por elegir los productos de Hisense. Estamos seguros de que encontrará placentero utilizar este nuevo electrodoméstico. Antes de comenzar a utilizar el electrodoméstico, le recomendamos que lea atentamente este Manual de Usuario. El mismo ofrece, de manera más detallada, descripciones sobre las funciones y el uso del refrigerador.

- Asegúrese que todas las personas que utilicen este electrodoméstico estén familiarizados con las operaciones y características de seguridad recomendadas en este manual del usuario. Es importante que instale el electrodoméstico de manera correcta y que siga las instrucciones de seguridad.
- Le recomendamos que conserve este manual de usuario junto con el

electrodoméstico para consultas futuras y para futuros usuarios.

- El electrodoméstico está destinado para utilizarse en el hogar y en lugares similares como:
  - áreas de cocina en tiendas, oficinas y otros ambientes de trabajo;
  - granjas, hoteles, moteles y posadas y otras residencias de este tipo;
  - catering y aplicaciones no comerciales similares.
- Si siente que su electrodoméstico no está funcionando correctamente, consulte la página de solución de problemas para los problemas más comunes. Si todavía tiene dudas, contacte a la línea de ayuda del servicio al cliente para que lo asistan o arreglen un llamado con un ingeniero de autorizado.

## Instrucciones de seguridad importantes

### Seguridad general y uso diario



Es importante que utilice su electrodoméstico de manera segura. Le recomendamos

que siga las siguientes pautas.

- Le recomendamos que espere 4 horas antes de conectar el electrodoméstico al enchufe principal para dejar que el

refrigerante fluya en el compresor.

También se recomienda que deje funcionar la heladera por 3 horas antes de almacenar los alimentos.

- El material de empaque es reciclable y está marcado con el símbolo de reciclar. Cumpla con las regulaciones locales actuales para deshacerse del material de

embalaje.

- No utilice objetos filosos o instrumentos de metal para quitar el hielo o la escarcha o cualquier artículo congelado del congelador. Puede dañar la tubería del circuito refrigerante y crear fugas y riesgo de incendio.

- No trate de reparar el electrodoméstico usted mismo. Es peligroso alterar las especificaciones o modificar el producto. Cualquier daño en el cable de alimentación puede causar corto circuito, incendios y descargas eléctricas. Almacene cualquier alimento según las instrucciones de almacenamiento del fabricante.

- No coloque una gran cantidad de alimentos directamente contra la salida del aire en la pared posterior del refrigerador y congelador ya que obstruye la circulación de aire.

- No coloque artículos calientes cerca de los componentes de plástico del electrodoméstico.

- La comida congelada no se debe congelar una vez que se haya descongelado.

- No almacene botellas o latas de bebidas (especialmente gaseosas) en el congelador. Las botellas y las latas pueden explotar.

- Cualquier tipo de contenedor de aerosol a presión con el símbolo "inflamable" y/o "llama chica" no se debe almacenar dentro del refrigerador o del congelador ya que puede causar explosión.

- No consuma helados o hielos directamente del congelador ya que

puede causar quemaduras de frío en la boca y en los labios.

- Para evitar que los artículos fallen y causen daños o lesiones al electrodoméstico, no sobre cargue los estantes de la puerta o almacene mucha comida en los cajones.

- No toque los artículos congelados cuando sus manos estén húmedas. Las manos se pueden congelar a los artículos y causar quemaduras de frío.

- No utilice dispositivos mecánicos u otros medios para acelerar el proceso de descongelación al menos que estén aprobados por el fabricante.

- Si el cable de suministro está dañado, se debe reemplazar por uno del fabricante, el agente de servicio o una persona similar calificada para evitar peligros.

- Cuando se deshaga del electrodoméstico, hágalo sólo en el centro de desperdicio autorizado. No lo exponga al fuego.

### **Seguridad para niños y personas débiles**



Este electrodoméstico se puede utilizar por menores de 8 años en adelante y por personas con capacidades físicas, sensoriales o mentales reducidas o falta de experiencia o conocimiento si han sido supervisados o instruidos sobre el uso del electrodoméstico en una forma segura y hayan entendido los peligros que incluye. Los niños no deben jugar con el electrodoméstico. La limpieza y el mantenimiento no debe realizarse por los niños sin supervisión.

- Para evitar riesgo de sofocación, mantener todo el embalaje lejos del alcance de los niños.
- Proteger a los niños para que no sufran quemaduras al tocar el compresor muy caliente en el rincón de la parte trasera del electrodoméstico.
- No colocar artículos en la superficie del electrodoméstico ya que, si se caen, pueden causar daños.
- Nunca permita que los niños jueguen con el electrodoméstico, se cuelguen o se paren en las puertas, estantes, cajones, etc.

### Seguridad sobre la electricidad



Para evitar los riesgos que están siempre presentes cuando se utiliza un electrodoméstico eléctrico, le recomendamos que ponga atención a las siguientes instrucciones sobre la electricidad.

- Le recomendamos que verifique el electrodoméstico después de desempacar el mismo. Cualquier daño debería ser evidente. No enchufe el electrodoméstico y contacte inmediatamente a la tienda donde lo compró.
- En este caso, conservar todos los materiales del empaque.
- El electrodoméstico debe utilizar una corriente alternativa de fase simple de 115V/60Hz.
- Cuando se instale el electrodoméstico, el enchufe principal debe estar accesible. Asegurar que el electrodoméstico esté a tierra de manera correcta. Si tiene dudas, llame a un electricista calificado.
- Si el enchufe instalado no es apto para su toma corrientes, debería cortarlo y desecharlo cuidadosamente. Para evitar posibles riesgo de descarga eléctrica, no inserte el enchufe descartado en el toma corrientes. Si tiene dudas, llame a un electricista calificado.
- No utilice extensiones de cables o enchufes múltiples que podrían causar una sobrecarga en los circuitos del cableado y podrían causar incendios.
- Siempre enchufe el electrodoméstico a un toma corrientes individual, el cual tiene una tensión nominal que coincide con las características de la placa.
- Comprobar que el enchufe no esté aplastado o dañado. De lo contrario, puede causar un corto circuito, descargas eléctricas o sobrecargas e, incluso, incendios.
- No inserte el interruptor principal si el enchufe está flojo. Hay riesgo de descargas eléctricas o incendios.
- Apague el electrodoméstico y desconéctelo de la alimentación principal antes de limpiar o moverlo.
- Nunca desenchufe el electrodoméstico tirando del cable eléctrico. Siempre agarre el enchufe firmemente y tire del toma corrientes para evitar que se dañe el cable de alimentación.
- No utilice el electrodoméstico sin el cobertor de la luz de la iluminación interior.
- Un electricista calificado o un ingeniero autorizado debe reemplazar o reparar cualquier componente eléctrico. Sólo se debería utilizar repuestos genuinos.



- No use electrodomésticos eléctricos (como **una** máquina de helados) dentro de los compartimientos de almacenaje de comida, al menos que estén aprobados por el fabricante.

- Para evitar lesiones en la vista, si la luz LED está descubierta, no mire directamente con un instrumento óptico. Si no funciona de manera correcta, consultar con a un electricista calificado.

### **El refrigerante y riesgos de incendio**

El electrodoméstico contiene una cantidad pequeña de refrigerante (R600a) en el circuito.

- El refrigerante isobutano (R600a) es ecológico pero inflamable. Asegurar que la tubería del circuito del refrigerante no esté dañada durante la transportación e instalación para evitar riesgos de incendios ocasionados por la fuga de refrigerante.

### **¡Precaución!**



Mantener las velas, lámparas y otros artículos con llamas y fuentes de incendio lejos del electrodoméstico y ventilar la habitación para evitar riesgos de incendios o daño en los ojos en caso de fuga del refrigerante (R600a).

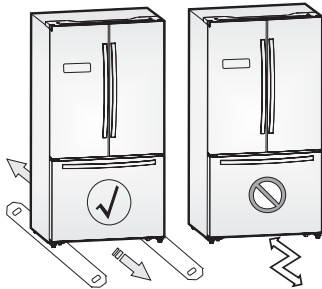
- No almacene productos que contengan propelentes inflamables (ej.: latas de spray) o sustancias explosivas en el electrodoméstico.

## Instalación del nuevo electrodoméstico

Esta sección explica la instalación del nuevo electrodoméstico antes de utilizarlo por primera vez. Le recomendamos que lea los siguientes consejos.



Para una correcta instalación, el refrigerador debe colocarse sobre una superficie de un material duro que esté nivelada en todo el piso. La superficie debería ser lo suficientemente fuerte como para soportar el refrigerador completamente cargado o aproximadamente 249 libras (133kg). Cuando lo mueva, asegurarse de tirar y empujar la unidad en línea recta.



### Ubicación y límites de la temperatura de la habitación

Es esencial encontrar un lugar adecuado para colocar el nuevo electrodoméstico y asegurar el funcionamiento eficiente. Considerar las siguientes instrucciones para el electrodoméstico:

- Instalar el electrodoméstico en un área

seca y con baja humedad. El mejor rango de temperatura ambiente para el electrodoméstico es 12,8°C~43,3°C.

- Mantener el aparato lejos de fuentes calientes, como cocinas, estufas o calentadores.
- Mantener el aparato lejos de la dirección del sol y la lluvia.

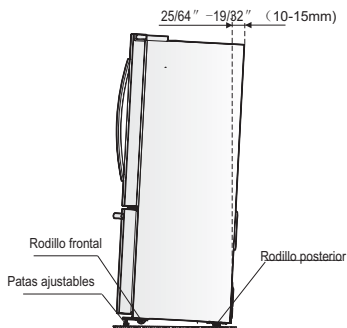
Clase	Símbolo	Rango de temperatura ambiente (°C)
Temperatura extendida	SN	De +10 hasta +32
Templado	N	De +16 hasta +32
Subtropical	ST	De +16 hasta +38
Tropical	T	De +16 hasta +43

### Nivelación del electrodoméstico

Para una nivelación adecuada y para evitar la vibración, el electrodoméstico está provisto con patas ajustable en el frente. Ajustar el nivel siguiendo las siguientes instrucciones:

1. Mover el electrodoméstico al lugar.
2. Girar las patas ajustables (con la mano o una llave adecuada) hasta que toquen el piso.
3. Inclinar la parte superior hacia atrás aproximadamente a 25/64 - 19732 pulgadas (10-15mm) girando las patas 1~2 giros más. Esto permitirá que las puertas se cierren solas y se selle adecuadamente.
4. Cuando quiera mover el electrodoméstico, recuerde girar las patas para que el equipo se pueda mover libremente. Volver a instalar el

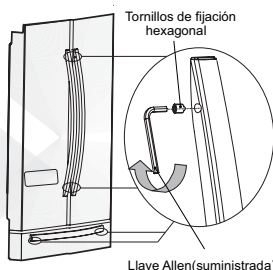
electrodoméstico cuando lo reubique.



**Advertencia:** Los rodillos, que no son ruedas, deberían ser utilizados sólo para movimientos hacia adelante o hacia atrás. Si se mueve a los laterales puede dañar el piso y los rodillos.

### Ajuste de la manija de la puerta

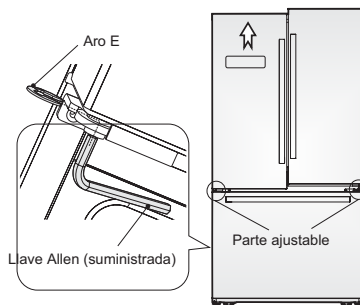
Antes de utilizar el electrodoméstico, verificar las manijas del refrigerador. Si las manijas están flojas, ajustarlas utilizando una llave Allen en dirección a las agujas del reloj hasta que las manijas queden firmes en el lugar. Cada una de las manijas está montada con 2 tornillos.



Allen Wrench(3mm) (1/8") ( Provided)	Wrench(8mm)
Phillips screwdriver	Flat-blade screwdriver

### Ajuste de las puertas

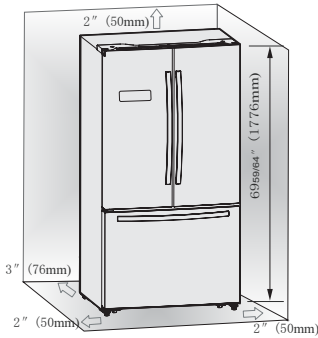
- Las puertas de la derecha y la izquierda están equipadas con ejes ajustables, los cuales están ubicados en las bisagras inferiores.
- Antes de ajustar las puertas, comprobar que el refrigerador esté nivelado. Revisar la sección previa de "Nivelación del electrodoméstico". Si ve que las puertas están desniveladas, inserte la llave Allen en el eje de la bisagra y gire en sentido a las agujas del reloj para subir la puerta o en sentido antihorario para bajar la puerta. Inserte el aro E en el espacio.



### Ventilación del electrodoméstico

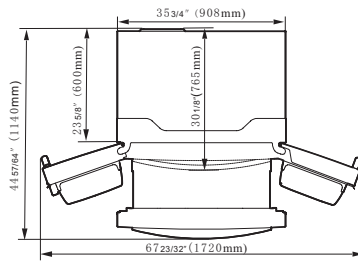
Con el fin de mejorar la eficiencia del sistema de refrigeración y ahorrar energía, es necesario mantener una ventilación adecuada cerca del electrodoméstico para disipar el calor. Por esta razón, se debería suministrar un espacio suficiente cerca del refrigerador y el área debería estar libre de

obstrucciones que afecten la circulación de aire.



**Sugerencia:** Se aconseja dejar al menos 3 pulgadas (75mm) de espacio desde la parte de atrás del electrodoméstico a la

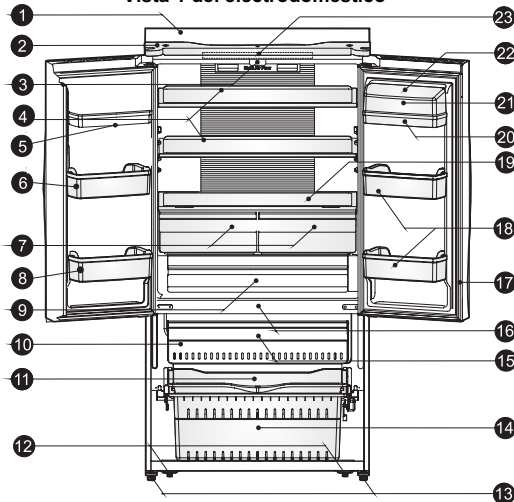
pared y al menos 2 pulgadas (50mm) desde la parte superior y en ambos lados. Cuando se coloque en un rincón, se debe proporcionar un espacio de al menos 16 pulgadas (406mm) de cada lado de la bisagra para que las puertas se puedan abrir lo suficiente como para permitir sacar los estantes y cajones. Como se muestra en el siguiente diagrama.



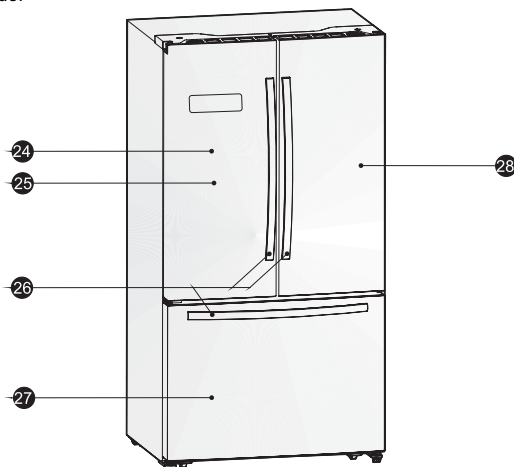
## Descripción del electrodoméstico

1. Gabinete
2. Cobertor superior
3. Bloque guía deflector vertical
4. Estante de vidrio
5. Estante superior
6. Estante inferior
7. Cajón de frutas y verduras
8. Estante inferior
9. Habitación multifuncional
10. Bandeja de hielo flexible (por dentro)
11. Bandeja de servir
12. Rodillos
13. Patas inferiores ajustables
14. Cajón inferior del congelador
15. Cajón superior del congelador
16. Luz LED del congelador (por dentro)
17. Sello de la puerta del refrigerador
18. Estante inferior
19. Cubierta del cajón
20. Estante superior
21. Bandeja para huevos (por dentro)
22. Cobertor del estante
23. Luz LED del refrigerador (por dentro)
24. Placa de la pantalla
25. Dispenser de agua fría
26. Manijas
27. Puerta del congelador
28. Puerta del refrigerador

Vista 1 del electrodoméstico



Vista 2 del electrodoméstico



Nota: Debido a la mejora continua de nuestros productos, el refrigerador puede diferir un poco de la ilustración de arriba, pero su funcionamiento y métodos de usos son los mismos.

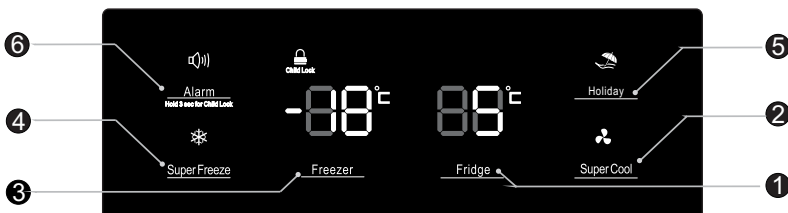
Nota: Para obtener el mejor rendimiento de este producto, por favor coloque todos los estantes, cajones y canastos en la posición original como se muestra en la ilustración de arriba.

## Controles de la pantalla

Todas las funciones y controles de la unidad son accesibles desde el panel de control ubicado en la puerta del refrigerador. El teclado de botones táctiles y la pantalla digital permiten una fácil configuración de las características y ajustes en una manera simple e intuitiva.

¡Importante! Los botones táctiles requieren sólo una pulsación corta en el botón para que funcione. La operación se produce cuando suelta el dedo del botón, no mientras lo presiona. No hay necesidad de aplicar presión en el teclado. La función de bloqueo para niños relacionada al botón "Alarm" requiere una pulsación de al menos 3 segundos. Consultar esto en la sección de este manual para instrucciones detalladas.

El panel de control consta de dos áreas de indicación de temperatura, cinco íconos que representan los diferentes modos y seis botones táctiles. Cuando se encienda el electrodoméstico por primera vez, la luz de fondo de los íconos del panel se encenderán. Si no se presionan los botones y las puertas están cerradas, las luz se apagará después de 60 segundos.



### Control de la temperatura

Le recomendamos que cuando encienda el refrigerador por primera vez la temperatura del mismo se establezca a 5°C (41°F) y el congelador a -18°C (-0.4°F). Si desea cambiar la temperatura siga las siguientes instrucciones.

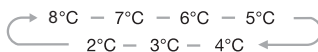
#### ¡Precaución!

Cuando configura la temperatura, configura una temperatura promedio para toda la cabina del refrigerador. La temperatura dentro de cada compartimiento puede variar de los valores que se muestran en el panel dependiendo de cuanta cantidad de

comida haya almacenada y donde esté ubicada. La temperatura ambiente también puede afectar la temperatura actual

#### 1. Heladera

Presionar el botón "Fridge" varias veces para establecer la temperatura deseada entre 8°C (46.4°F) y 2°C (35.6°F); la temperatura bajará a 1°C (32°F) cada vez que se presione y el indicador de la temperatura de la helada mostrará el valor correspondiente según la siguiente secuencia.



## 2. Super Cool



*Super Cool* puede refrigerar los alimentos mucho más rápido y mantenerlos frescos por largos períodos.

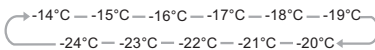
- Presionar el botón "Super Cool" para activar esta función. El ícono "Super Cool" se iluminará y el indicador de temperatura de la heladera mostrará 2°C (35.6°F).

*Super Cool* se apagará automáticamente luego de 6 horas.

- Presionar "Super Cool" o "Fridge" para cancelar el modo *Super Cool* o volver a la configuración previa.

## 3. Freeze

Presionar el botón "Freezer" para establecer la temperatura del congelador entre -14°C (6.8°F) y -24°C (-11.2°F) y así adaptarse a la temperatura deseada; el indicador de la temperatura del congelador mostrará el valor correspondiente según la siguiente secuencia.



## 4. Super Freeze



*Super Freeze* puede bajar rápidamente la temperatura de congelación y congelar los alimentos más rápido que lo usual.

Además, esta característica ayuda a mantener las vitaminas y la nutrición de los alimentos frescos por largos períodos.

- Presionar el botón "Super Freeze" para activar la función de súper congelación. El ícono "Super Freeze" se iluminará y el indicador de temperatura del congelador mostrará -24°C (-11.2°F).

- Para la primera vez o luego de un período de inactividad, dejar funcionar de manera normal por 6 horas antes de utilizar el modo *Super Freeze*. Esto es sumamente importante por si se coloca una gran cantidad de comida en el congelador.

*Super Freeze* se apagará automáticamente después de 26 horas de uso y la temperatura del congelador bajará a -20°C (-4°F).

Presionar "Super Freeze" o "Freezer" para cancelar el modo *Super Freeze* o volver a la configuración de temperatura previa.

Nota: Cuando seleccione la función *Super Freeze*, asegurar que no haya botellas ni latas de bebidas (especialmente gaseosas) en el congelador. Las botellas y las latas pueden explotar.

## 5. Vacaciones



Esta función está diseñada para minimizar el consumo de energía y las facturas de electricidad mientras la heladera no se usa por largos períodos. Puede activar esta función presionando el botón "Holiday" por un corto tiempo hasta que la luz del ícono *Holiday* se ilumine.

¡Importante! No almacene alimentos en el refrigerador durante ese período. Cuando la función *Holiday* esté activada, la temperatura del refrigerador cambiará automáticamente a 15°C (59°F) para minimizar el consumo de energía. La configuración de temperatura del refrigerador mostrará "-" y el congelador continuará encendido.

- Presionar el botón "Holiday" para cancelar este modo y volver a la configuración previa.

## 6. Alarma



En caso de alarma, el ícono "Alarm" se encenderá y empezará un zumbido.

Presionar el botón "Alarm" para parar la alarma y el zumbido; luego el ícono "Alarm" se apagará.

¡Precaución! Cuando se encienda el refrigerador después de un período de inactividad, la alarma puede activarse. En ese caso, presionar el botón "Alarm" para cancelar.

### Alarma de la puerta

La luz de la alarma encendida y el zumbido le indican condiciones anormales tales como que la puerta se dejó abierta por accidente o que se interrumpió la energía en la unidad.

- Si se deja cualquier puerta del refrigerador o del congelador abierta por más de 2 minutos se activará la alarma y el zumbido. El timbre sonará 3 veces por minuto durante 10 minutos. Al cerrar la puerta se cancela la alarma y el zumbido.

- Para ahorrar energía cuando use el refrigerador, evite dejar las puertas abiertas por largo tiempo. La alarma de la puerta también se puede apagar cerrando las puertas.

### Alarma de temperatura

Esta es una característica importante que alerta al usuario de un posible daño a los alimentos almacenados. Si ocurre un

corte en la electricidad, por ejemplo un apagón en su área de residencia mientras usted está lejos, la alarma de temperatura memorizará la temperatura del congelador para cuando se restaure la electricidad en la unidad. Es probable que sea la temperatura máxima alcanzada para los productos congelados.

### Cambio de °C

La temperatura se puede cambiar entre °C y °F presionando el botón "Holiday" por 3 segundos.

Una alarma de temperatura indicará mediante la luz de la alarma y el zumbido cuando la temperatura sea más cálida que -9°C (15.8°F), luego

- a- el ícono *Alarm* se encenderá;
- b- el indicador de la temperatura del congelador mostrara "H";
- c- el zumbido sonará 10 veces cuando la alarma se active y se apagará automáticamente.

### Bloqueo para niños



Mantener presionado el botón "Alarm" por 3 segundos para activar esta función.

Esto deshabilitará el panel para evitar cambios accidentales en la configuración. Mientras tanto, se iluminará el ícono "Child Lock".

- Para apagar la función de bloqueo, mantener presionado el botón "Alarm" por 3 segundos. El ícono "Child Lock" se apagará.

## Utilización del electrodoméstico

Esta sección explica cómo usar las

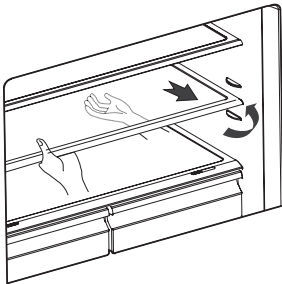
características del refrigerador. Le



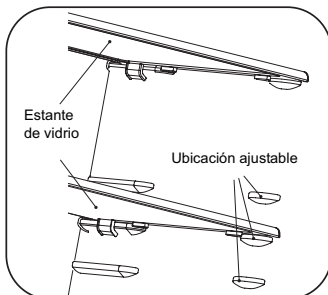
recomendamos que lea cuidadosamente antes de utilizar el electrodoméstico.

### Estantes de vidrio

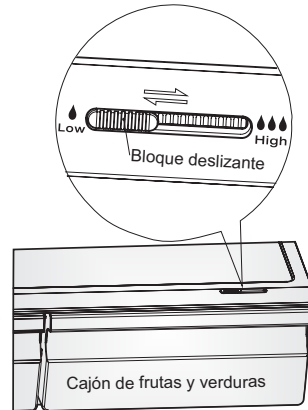
El compartimiento del refrigerador está provisto de dos estantes de vidrio. Mientras que el estante superior está diseñado para ser fijo, el estante inferior es ajustable. Hay tres ubicaciones para reubicar el estante inferior. Ajustar la altura del estante según sus necesidades:



- Cuando quite los estantes, tirar suavemente hacia adelante hasta que salgan de las guías.
- Cuando coloque los estantes, asegurar de que no haya obstáculos detrás y empujar suavemente hasta la posición.



Control de frescos y humedad



El cajón *crisper*, montado en guías de extensión telescópicas, es para almacenar frutas y verduras. Puede ajustar la humedad dentro utilizando el bloque deslizante.

- El control de humedad ajusta el flujo de aire en el cajón *crisper*; gran flujo de aire es igual a humedad baja. Deslizar el control de humedad hacia la derecha para aumentar la humedad.
- Para los vegetales se recomienda una gran humedad, mientras que para preservar la fruta es ideal una humedad baja.
- Para la limpieza, seguir estas simples instrucciones para quitar el cajón *crisper* o el cajón del congelador. Vaciar el cajón *crisper*. Extraer hasta que quede completamente abierto. Levantar el cajón *crisper* desde los laterales. Empujar las guías completamente para evitar daños cuando se cierre la puerta.

### Utilización de la cámara del

## refrigerador

La cabina del refrigerador es ideal para almacenar vegetales y frutas. Se recomienda separar los diferentes paquetes de alimentos para evitar la pérdida de humedad o sabor en otros alimentos.

### ¡Precaución!

Nunca cierre las puertas cuando los estantes, el cajón *crisper* y/o las guías telescópicas estén extendidos. Esto puede dañar la unidad.

### Utilización del cajón del congelador

El cajón del congelador es ideal para almacenar los alimentos que necesitan ser congelados, como la carne, el helado, etc.

Para quitar el cajón del congelador, extraer completamente el cajón y levantar la bandeja. Luego, abrir las puertas del congelador a un ángulo máximo donde se pueda sacar el cajón inferior como se muestra en las siguientes imágenes.



### Precaución

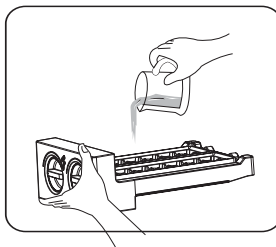
No permita que los bebés o los niños entren al refrigerador, se pueden lastimar ellos mismos o dañar el electrodoméstico. No se sienta sobre la puerta del congelador. La puerta se puede romper. No permita que los niños se trepen en los canastos del congelador.

Si quita el separador para limpiar el canasto, debe volver a colocarlo después de la limpieza para evitar que los niños queden atrapados dentro del canasto.

### Bandeja de hielo flexible

La bandeja de hielo está ubicada en la cajón superior del congelador para hacer y almacenar cubos de hielo.

1. Extraer la bandeja de hielo del soporte de instalación.
2. Llenar con agua potable debajo de la marca máxima de nivel.
3. Colocar la bandeja llena en el soporte.
4. Esperar 3 horas, tuerza la bandeja en sentido a las agujas del reloj y los hielos caerán en el compartimiento de abajo.



5. Los cubos de hielo se almacenan en el compartimiento, si los necesita, puede extraer la bandeja y tomarlos.

Nota: Si la bandeja de hielo se utiliza por primera vez o no se utilizó por mucho tiempo, limpiarla antes de usar.

## Consejos y Sugerencias Útiles

### Consejos de ahorro de energía

Recomendamos seguir los siguientes consejos para ahorrar energía.

- Intente evitar mantener abierta la puerta durante un largo período con el fin de conservar la energía.
- Asegúrese de que el aparato esté lejos de cualquier fuente de calor (luz solar directa, horno eléctrico o cocina, etc.)
- No ajuste la temperatura a un nivel más frío de lo necesario.
- No guarde alimentos calientes o líquidos en evaporación en el aparato.
- Ubique el aparato en una habitación bien ventilada y libre de humedad. Revise el capítulo referido a la Instalación de su nuevo aparato.
- Vista #1 bajo la sección "Descripción del electrodoméstico" muestra la disposición correcta de cajones, canastos y estantes. No ajuste la combinación ya que está diseñado para una configuración eficiente de energía.

### Consejos para la refrigeración de alimentos frescos

- No coloque los alimentos calientes directamente en el refrigerador o el congelador
- Cubra o envuelva los alimentos, especialmente los de sabor fuerte.
- Coloque los alimentos adecuadamente para que el aire pueda circular libremente.

### Consejos para refrigeración

- La carne (de todos los tipos) envuelta en polietileno: envuélvala y colóquela en la repisa por encima del cajón de

verduras. Siempre tenga en cuenta el tiempo de almacenamiento de alimentos y use las fechas de vencimiento recomendadas por los fabricantes.

- Alimentos cocidos, platos fríos, etc.: Deberán cubrirse y colocarse sobre cualquier repisa.
- Frutas y verduras:

Deberán guardarse en el cajón especial provisto.

- Mantequilla y queso:

Deberán envolverse en papel de aluminio hermético o envoltura plástica.

- Botellas de leche:

Deberán tener una tapa y ser almacenados en los estantes de la puerta.

### Consejos para la congelación

- Cuando se encienda el equipo por primera vez o después de un período de inactividad, deje que el aparato funcione como mínimo 2 horas con los ajustes más altos antes de colocar los alimentos en el compartimiento.
- Prepare los alimentos en porciones pequeñas para permitir una congelación rápida y completa y hacer posible la subsiguiente descongelación de solo la cantidad que se requiera.
- Envuelva los alimentos en papel aluminio o en envolturas de alimentos de polietileno, que son herméticos al aire, la temperatura aumentará y provocará que el compresor funcione más y por ende consuma más energía
- No permita que los alimentos frescos y descongelados estén en contacto con los

alimentos que están ya congelados para evitar el aumento de la temperatura de los últimos.

- Los productos helados, si son consumidos inmediatamente después retirados del compartimiento del congelador, probablemente puedan causar la quemadura por frío en la piel.
- Se recomienda etiquetar y fechar cada uno de los paquetes congelados con el fin saber el tiempo de almacenamiento.

### **Consejos para el almacenamiento de alimentos congelados**

- Asegúrese que los alimentos congelados hayan sido almacenados correctamente por el minorista de alimentos.

- Una vez descongelados, los alimentos se deteriorarán rápidamente y no deberán ser congelados otra vez. No exceda el período de almacenamiento indicado por el fabricante..

### **Apagado de su aparato**

Si el aparato necesita ser apagado por un período prolongado, deberán realizarse los siguientes pasos para evitar el moho en el aparato.

1. Saque todos los alimentos.
2. Retire el enchufe de alimentación del tomacorriente.
3. Limpie y seque el interior por completo.
4. Asegúrese de que todas las puertas se mantengan un poco abiertas para permitir la circulación del aire.

## **Limpieza y cuidado**

Por razones de higiene, el aparato (incluyendo los accesorios exteriores e interiores) deberá limpiarse regularmente por lo menos cada dos meses.

**¡Precaución!** El aparato no deberá conectarse al tomacorriente durante la limpieza. ¡Hay peligro de descarga eléctrica! Antes de la limpieza, apague el aparato y retire el enchufe del tomacorriente.

### **Limpieza del exterior**

Para mantener una buena apariencia de su aparato, deberá limpiarlo regularmente.

- Limpie el panel de control con un paño limpio y suave.
- Rocíe agua en el paño de limpieza en lugar de rociarla directamente en la superficie del aparato. Eso ayuda a

asegurar una distribución uniforme de la humedad en la superficie.

-Limpie las puertas, mangos y superficies de los gabinetes con un detergente suave y luego séquelos con un paño suave.

### **¡Precaución!**

- No utilice los objetos afilados ya que ellos pueden rayar la superficie.
- No utilice diluyente, detergente para vehículo, clorox, aceite etéreo, limpiadores abrasivos o disolventes orgánicos tales como el Benceno para la limpieza. Ellos pueden dañar la superficie del aparato y provocar un incendio.

### **Limpieza del interior**

Usted deberá limpiar el interior del aparato regularmente. Será más fácil limpiarlo cuando hayan menos alimentos.

Limpie el interior del congelador del refrigerador con una solución débil de bicarbonato de sodio, luego enjuáguelo con agua tibia haciendo uso de una esponja exprimida o un paño exprimido. Límpielo completamente y séquelo antes de reemplazar las repisas y las cestas. Seque por completo todas las superficies y componentes desmontables.

Aunque este aparato se deshiela automáticamente, una capa de escarcha se puede producir en las paredes internas del compartimiento del refrigerador si la puerta del congelador se abre frecuentemente o si se deja abierta por mucho tiempo. Si la escarcha es demasiado gruesa, proceda cuando haya menos alimentos y realice lo siguiente:

1. Quite los alimentos existentes y las cestas de accesorios, desenchufe el aparato del tomacorriente y deje las puertas abiertas. Ventile la habitación por completo para acelerar el proceso de descongelación.

2. Cuando termine el proceso de descongelación, limpie su congelador como se menciona arriba.

**¡Precaución!** No utilice objetos afilados para eliminar la escarcha del compartimiento del congelador. Sólo una vez que el interior esté completamente seco, se puede encender el aparato y volver a enchufarlo al tomacorriente.

### **Limpieza de sellos de puerta**

Asegúrese de mantener limpios los sellos de la puerta. Los alimentos y bebidas viscosos pueden causar que los sellos se peguen en el gabinete y se rasguen cuando abra la puerta. Lave el sello con detergente suave y agua tibia. Enjuague y séquelos completamente después de realizada la limpieza.

**¡Precaución!** Sólo se deberá encender el aparato cuando los sellos de la puerta estén completamente secos.

### **¡Advertencia!**

¡El usuario no debe reemplazar la luz LED! Si la luz LED se daña, contactar al línea de ayuda al cliente para una asistencia.

## Solución de problemas

Si experimenta algún problema en su aparato o si está preocupado de que el aparato no está funcionando correctamente, puede llevar a cabo algunas comprobaciones antes de solicitar el servicio, por favor véase más abajo. Puede llevar a cabo algunas comprobaciones sencillas de acuerdo con esta sección antes de llamar para solicitar el servicio.


**¡Advertencia!** No intente reparar el aparato por sí mismo. Si el problema persiste después de que haya realizado las verificaciones abajo mencionadas, póngase en contacto con un electricista calificado, un ingeniero de servicio autorizado o la tienda donde compró el producto.

Problema	Posible causa y Solución
El aparato no está funcionando correctamente	Verifique si el cable de alimentación está enchufado en el tomacorriente adecuadamente.
	Verifique el fusible o el circuito de su fuente de alimentación, reemplácelo si es necesario.
	La temperatura ambiente es demasiado baja. Intente ajustar la temperatura de la cámara a un nivel más bajo para resolver este problema.
	Es normal que el congelador no funcione durante el ciclo de descongelación, o durante un corto período de tiempo después del encendido del aparato para proteger el compresor.
Olores en los compartimientos	El interior puede necesitar limpiarse.
	Algunos alimentos, contenedores o envolturas producen los olores.
Ruido en el aparato	Los siguientes sonidos son normales: <ul style="list-style-type: none"> <li>● Ruidos de funcionamiento del compresor.</li> <li>● Ruido del movimiento de aire desde el motor del ventilador pequeño en el compartimiento del congelador o en otros compartimientos.</li> <li>● Gorgoteo similar al de la ebullición del agua.</li> <li>● Ruido de estallido durante la descongelación automática.</li> <li>● Ruido de clic antes del inicio del compresor.</li> </ul>
	Otros ruidos anormales se deben a las siguientes razones y puede que necesite verificar y luego hacer algo: El gabinete no está nivelado. La parte posterior del aparato toca la pared. Las botellas y contenedores pueden caer o rodar.
El motor funciona	Es normal oír frecuentemente el sonido del motor, el cual necesitará funcionar

de manera continua	<p>más cuando se den las siguientes circunstancias:</p> <ul style="list-style-type: none"> <li>• El ajuste de la temperatura está por debajo de lo necesario.</li> <li>• Gran cantidad de alimentos calientes han sido almacenados recientemente en el aparato.</li> <li>• La temperatura fuera del aparato es demasiado alta.</li> <li>• Las puertas se mantienen abiertas durante un largo período de tiempo o de manera bastante frecuente.</li> <li>• Después de la instalación del aparato o si no se ha prendido por un buen tiempo.</li> </ul>
Una capa de escarcha aparece en el compartimiento	<p>Verifique si las salidas de aire están bloqueadas por los alimentos y asegúrese de que los alimentos se coloquen dentro del aparato para permitir suficiente ventilación. Asegúrese de que la puerta esté completamente cerrada. Para eliminar la escarcha, fíjese en el capítulo de limpieza y cuidado.</p>
La temperatura interna es demasiado alta	<p>Es posible que haya dejado las puertas abiertas durante un período demasiado largo o de manera demasiado frecuente; o las puertas se quedan abiertas por ciertos obstáculos; o el aparato está ubicado en un lugar sin suficiente espacio a los lados, la parte posterior y superior.</p>
La temperatura interna es demasiado baja	<p>Eleve la temperatura de acuerdo al capítulo "Controles de Visualización".</p>
Las puertas no se pueden cerrar fácilmente	<p>Verifique si la parte superior del refrigerador está inclinada hacia atrás en 10-15mm para permitir el cierre automático de la puerta, o si alguna cosa en el interior está evitando el cierre de la puerta.</p>
Agua gotea en el suelo	<p>La bandeja de agua (ubicada en la parte inferior trasera del gabinete) puede no estar nivelada adecuadamente, o el conducto de drenaje (ubicado por debajo de la parte superior del depósito del compresor) puede no estar colocado adecuadamente para guiar el agua a esta bandeja, o el conducto de agua está bloqueado. Quizá necesite alejar el refrigerador de la pared para verificar la bandeja y el conducto.</p>
La luz no funciona	<ul style="list-style-type: none"> <li>• La bombilla de la luz puede estar dañada. Fíjese en como reemplazar Bombillas de luz en el capítulo de limpieza y cuidado.</li> <li>• El sistema de control ha desactivado las luces debido a que la puerta se quedó abierta durante un tiempo demasiado largo, cierre y vuelva a abrir la puerta para reactivar las luces.</li> </ul>
Las puertas no se abren con facilidad	<p>Comprobar el sello de la puerta, si es necesario, limpiar la goma del sello de la junta cerca de los bordes de la puerta utilizando un detergente y agua tibia. La tierra y la suciedad se puede juntar ahí y hacer que la puerta se pegue en la heladera.</p>

## Eliminación del electrodoméstico

El refrigerador está hecho de materiales reutilizables. Se debe desechar de acuerdo a las regulaciones actuales de eliminación local. El electrodoméstico contiene una cantidad pequeña de refrigerante (R600a) en el circuito. Por su seguridad, consultar la sección "el refrigerante y riesgos de incendio" en este manual de instrucciones antes de desechar el electrodoméstico. Cortar el cable de alimentación para que no se pueda utilizar el refrigerador y quitar el sello de la puerta y bloquear. Tener cuidado con el sistema de refrigeración y no dañarlo perforando el contenedor de refrigerante y/o doblando la tubería, y/o rayando el revestimiento de la superficie.

	<p><b>Eliminación correcta del producto</b></p> <p>Este símbolo en el producto o en el empaque indica que no se puede tratar como residuos domésticos. Se debería llevar al punto de recolección de desechos adecuado para reciclar las partes eléctricas y el equipo electrónico. Si se asegura que este producto se deseché correctamente, ayudará a prevenir posibles consecuencias negativas para el ambiente y la salud humana que, de lo contrario, se podrían causar por el manejo inadecuado en la eliminación de este producto. Para más información sobre el reciclaje de este producto, contacte a su municipio local de servicio de recolección de residuos o a la tienda donde compró el producto.</p>
---	---



## **Garantía para Refrigeración de Tamaño Natural**

### **GARANTÍA LIMITADA DE SERVICIOS A DOMICILIO DEL FABRICANTE DE UN AÑO**

Esta garantía, proporcionada por Hisense U.S.A. Corporation (en lo sucesivo “Hisense”) cubre el producto de Refrigeración de Tamaño Natural (en adelante “Producto”) en EE.UU, Puerto Rico, Guam y las Islas Vírgenes de EE.UU sólo, excluyendo cualquier accesorio proporcionado por terceros y/o los comprados por separado.

Esta garantía se aplicará únicamente cuando este Producto es comprado, almacenado, transportado, manejado, operado y mantenido de acuerdo con las instrucciones proporcionadas por Hisense adjuntas o provistas con el Producto. Hisense, a su sola determinación, reparará o resustituirá las unidades que se considera defectuosas únicamente para los materiales o mano de obra, a discreción de Hisense, para un período limitado de garantía de:

**Un (1) año para las Piezas y la Labor en Producto desde la fecha de compra (requiere el recibo de compra) solamente para el comprador original, y**

**Cinco (5) años para las Piezas y la Labor en el sistema de enfriamiento sellado solamente\* desde la fecha de compra (requiere el comprobante de compra) para el comprador original sólo.**

(\*Compresor, evaporador, condensador, secador, tubería de conexión – todas otras piezas están excluidas desde esta garantía)

El uso comercial y/o de alquiler de este Producto no está cubierto por esta garantía.

### **LO QUE NO SE CUBRE:**

1. Todas las piezas no de Hisense, incluyendo los accesorios proporcionados por terceros y/o suplementos.
2. Llamadas de servicio para corregir la instalación del Producto, instrucción de método de uso del Producto, reemplazo de fusibles de casa o restablecimiento de interruptores automáticos, reemplazo o corrección de cableado de casa.
3. Llamadas de servicio relacionadas con el uso del producto para propósito distinto al uso doméstico normal y en sola familia.
4. Daños en cualquier tiempo como resultado de accidentes, alteraciones, uso indebido, abuso, incendio, inundaciones, actos de Dios, instalación incorrecta, instalación no de acuerdo con los códigos eléctricos o de plomería, o el uso de los productos/accesorios no aprobados por Hisense por escrito.
5. Servicio fuera de EE.UU, las Islas Vírgenes, Guam y Puerto Rico.

6. Servicio o soporte para las unidades como resultado de las modificaciones no autorizadas hechas al Producto.
7. Pérdida de alimentos o bebidas debido a cualquier fallo en el sistema de enfriamiento sellado. Llamadas de servicio para reparar o reemplazar las bombillas de luz, filtros de aire, filtros de agua, otros consumibles, o perillas, mangos, u otras piezas cosméticas.
8. Daños causados por servicios ejecutados por el dueño, las empresas de servicio no autorizadas por Hisense por escrito, el uso de las piezas distintas a las piezas genuinas de Hisense, o las piezas obtenidas desde las entidades distintas a las empresas de servicio autorizadas por Hisense.

Las obligaciones para servicio y piezas bajo esta garantía deberán ser ejecutadas por Hisense o una empresa de servicio autorizada por Hisense. Las características o especificaciones del producto como se describen o ilustran están sujetas a cambios sin previo aviso.

#### **RENUNCIA DE GARANTÍAS IMPLÍCITAS: LIMITACIÓN DE REMEDIOS**

**Exclusiones y limitaciones:** Esta Garantía cubre los defectos manufactureros del material o el arte de producción encontrados en el uso normal y no comercial del Producto, y no cubre la instrucción del consumidor, la entrega, la instalación, el establecimiento, los ajustes, el daño cosmético o el daño causado por actos de naturaleza, accidente, uso indebido, abuso, negligencia, uso comercial o modificación de o a cualquier pieza del Producto. Esta Garantía sólo se aplica al consumidor original y no cubre los Productos vendidos a los consumidores en uso, en condición de "TAL CUAL" o "CON TODOS LOS DEFECTOS" , o los consumibles (p.ej., fusibles, baterías, bombillas, etc.). Esta Garantía será inválida si el número de serie aplicado por la fábrica ha sido alterado o retirado desde el Producto. El daño producido a cualquier Producto devuelto para servicio que es causado por los peligros ambientales, embalaje o envío inadecuado o inseguro por el comprador o consumidor original está excluido desde la cobertura de esta Garantía. Esta Garantía sólo es válida en Canadá, EE.UU, las Islas Vírgenes de EE.UU, Guam y Puerto Rico, y sólo se aplica a los Productos comprados y servidos en estas regiones. La Garantía será anulada si el consumidor o cualquier tercera parte NO autorizada por Hisense por escrito intenta reparar el Producto.

**NO HAY GARANTÍAS EXPRESAS DISTINTAS DE LAS EXPRESAMENTE DESCRITAS ANTERIORMENTE, Y NO GARANTÍA, YA SEA EXPRESA O IMPLÍCITA, INCLUYENDO, PERO SIN LIMITARSE A, CUALQUIER GARANTÍA IMPLÍCITA DE COMERCIABILIDAD O APTITUD PARA UN PROPÓSITO PARTICULAR, SE APLICARÁ DESPUÉS DEL PERÍODO DE GARANTÍA EXPRESA DICHO ANTERIORMENTE, Y NINGUNA OTRA GARANTÍA EXPRESA O GARANTÍA**

DADA POR CUALQUIER PERSONA, EMPRESA O ENTIDAD CON RESPECTO AL PRODUCTO SERÁ OBLIGATORIA PARA HISENSE. ESTA GARANTÍA ES LA ÚNICA Y EXCLUSIVA GARANTÍA CON RESPECTO AL PRODUCTO Y HISENSE ES EL PROVEEDOR EXCLUSIVO DE GARANTÍA PARA EL PRODUCTO. REPARACIÓN O EL REEMBOLSO, A LA SOLA DISCRECIÓN DE HISENSE, ES EL RECURSO EXCLUSIVO DEL CONSUMIDOR. HISENSE NO SERÁ RESPONSABLE DE NINGÚN DAÑO INCIDENTAL O CONSECUENTE CAUSADO POR EL USO, MAL USO O INCAPACIDAD DE USO DEL PRODUCTO. A PESAR DE LO ANTERIOR, LA RECUPERACIÓN DE LOS CONSUMIDORES CONTRA HISENSE NO EXCEDERÁ EL PRECIO DE COMPRA DEL PRODUCTO VENDIDO POR HISENSE. ESTA GARANTÍA NO SE EXTIENDE A CUALQUIER PERSONA QUE NO SEA EL CONSUMIDOR ORIGINAL QUE COMPRÓ EL PRODUCTO Y NO ES TRANSFERIBLE BAJO NINGUNA CIRCUNSTANCIA. EI COMPROBANTE DE COMPRA ES REQUERIDO POR TODAS LAS RECLAMACIONES DE GARANTÍA.

Si necesita asistencia, véase la sección “Solución de Problemas” primero para su manual de instrucciones. Después de verificar “ Solución de Problemas”, podrá solicitar la ayuda adicional cuando llame a :

**Hisense-USA: 1-877-465-3566 (Inglés & Español, lunes–viernes 9 a.m. a 6 p.m. EST)** Guarde esta página de Garantía y los recibos de ventas juntos para la referencia futura. Hay que proporcionar el comprobante de compra para el servicio de garantía.

Escriba la información siguiente de su aparato para la asistencia o el servicio cuando necesario. Necesitará saber el modelo completo y número de serie. Puede encontrar esta información en la etiqueta de modelo y número de serie ubicada en el Producto.

Nombre de tienda: \_\_\_\_\_ Número de modelo: \_\_\_\_\_

Dirección: \_\_\_\_\_ Número de serie: \_\_\_\_\_

Número telefónico: \_\_\_\_\_ Fecha de compra: \_\_\_\_\_

## **PÁGINA DE APOYO DE GUÍA DE USUARIO**

### **ASISTENCIA O SERVICIO**

Antes de llamar para asistencia o servicio, por favor verifique la sección de solución de problemas de su manual de usuario. Eso puede ahorrar su costo de llamada de servicio. Si todavía necesita ayudas, siga las instrucciones siguientes. Antes de llamarnos, por favor recuerde la fecha de compra y el modelo completo y el número de serie de su aparato. Esta información nos ayudará a responder mejor a su solicitud. Si necesita pedir las piezas de repuesto, le recomendamos que utilice solamente las piezas de

repuesto especificadas por la fábrica. Las piezas de repuesto especificadas por la fábrica se adaptarán bien y funcionarán bien debido a que ellas son hechas con la misma precisión utilizada para fabricar cada uno y todos los aparatos nuevos.

**El Centro de Llamada de Hisense puede proporcionar las asistencias de:**

- Características y especificaciones de nuestros aparatos
- Información de instalación
- Procedimientos de uso y mantenimiento
- Ventas de piezas de reparación
- Referencias de empresas de servicios
- Los técnicos de servicio designados son capacitados para cumplir con el servicio de garantía de producto y proporcionar servicio después del período de garantía en cualquier lugar dentro de EE.UU y territorios de EE.UU

**Para asistencia futura**

Si necesita ayuda adicional, puede escribir sus cuestiones o preocupaciones a:

Hisense USA Corp.

Servicio al Cliente

PO Box 3289

Suwanee, GA 30024

EE.UU

Por favor incluya un número telefónico al que podamos llamarlo en horario diurno

**REGISTRO DEL PRODUCTO**

Para proteger mejor su producto, por favor inicie sesión en



[www.hisense-usa.com/support/productReg.asp](http://www.hisense-usa.com/support/productReg.asp) para registrar su producto

***Beneficios de Registro del Producto:***

**Actualización del Producto**

El registro adecuado permitirá que Hisense se ponga en contacto con usted para las notificaciones de seguridad, actualizaciones, accesorios u otras modificaciones del Producto.

**Comprobante de Posesión**

En caso de cualquier pérdida causada por accidentes tales como el incendio, inundación o robo, su registro servirá como su comprobante de compra.

**Mejor Servicio**

Si tiene cualquier cuestión sobre su nuevo producto de Hisense, su registro nos ayudará a atenderle mejor.

# Hisense

life reimagined

## MANUEL DE L'UTILISATEUR

Veillez lire ce manuel attentivement avant d'utiliser cet appareil et gardez-le pour de futures référence.

RF20N6ASE

Français

## Contenu

Introduction rapide-----	2	Utiliser de votre appareil-----	10
Consignes de sécurité importantes -----	2	Conseils et astuces pratiques-----	13
Installer de votre nouvel appareil-----	5	Nettoyage et entretien-----	14
Description du système -----	7	Dépannage-----	15
Panneau de commandes -----	8	Recyclage de l'appareil-----	16

## Introduction rapide

Merci d'avoir fait confiance à la gamme de produits Hisense. Nous sommes certains que vous apprécierez votre nouvel appareil. Avant de commencer à utiliser votre appareil, nous vous conseillons de lire attentivement cette notice, qui vous apportera une description détaillée des fonctions de votre réfrigérateur et de son utilisation.

- Veuillez vous assurer que toutes les personnes amenées à utiliser cet appareil sont familiarisées avec son fonctionnement et avec les recommandations de sécurité contenues dans cette notice. Il est primordial que vous installiez l'appareil de manière correcte et suiviez les consignes de sécurité.
- Nous vous recommandons de conserver cette notice pour référence et pour ses prochains utilisateurs.

- L'appareil est destiné à une utilisation domestique classique ou à une utilisation spécifique:

- locaux de cuisine et équipements vendus dans le commerce, environnements de travail et bureaux ;
- maisons de campagne, hôtels, motels et Bed and Breakfast, ainsi que les autres types de résidences similaires ;
- cuisine industrielle et autres applications non destinées à la revente

- Si vous avez l'impression que l'appareil ne fonctionne pas correctement, veuillez consulter la page « Dépannage », où vous trouverez une liste des problèmes les plus communs. Si vous avez toujours un doute, contactez le service clients téléphonique pour vous faire aider ou prenez rendez-vous avec un technicien agréé.

## Consignes de sécurité importantes

### Sécurité générale une utilisation quotidienne



Il est important que vous utilisiez votre appareil en toute sécurité. Nous vous conseillons de suivre les conseils suivants.

- Nous vous recommandons d'attendre 4 heures avant de relier votre appareil à l'électricité, afin de permettre au liquide de refroidissement de bien circuler dans le compresseur. Il est également conseillé de laisser le réfrigérateur fonctionner 3 heures avant d'y stocker quelque aliment que ce soit.

- Les matériaux d'emballage sont tous recyclables, et sont marqués par le symbole « recyclage ». Respectez les réglementations locales lorsque vous mettez au rebut les emballages.
- N'utilisez pas d'objets pointus ou métalliques pour retirer le gel, ni les blocs de glace à l'intérieur du congélateur. Cela pourrait endommager le conduit contenant le liquide de refroidissement et entraîner un risque de fuite ou d'incendie.
- N'essayez pas de réparer vous-même le système. Il est dangereux de modifier la composition de cet appareil,

de quelque manière que ce soit. Toute détérioration du cordon peut entraîner un court-circuit, un incendie et/ou un risque d'électrocution.

- Rangez les aliments conformément aux consignes de stockage livrées par le fabricant.
- Ne rangez pas une grande quantité d'aliments près des aérations situées dans le fond du réfrigérateur et du congélateur, car cela empêchera la bonne circulation de l'air.
- Ne stockez pas d'aliments chauds à proximité des éléments en plastique.
- Les aliments congelés ne doivent jamais être recongelés une fois qu'ils ont été décongelés.
- Ne stockez pas de canettes (particulièrement si la boisson est carbonatée) dans le congélateur. Les bouteilles pourraient exploser.
- Les sprays contenant la mention « inflammable » ou marqués d'un symbole représentant une flamme ne doivent en aucun cas être rangés à l'intérieur du réfrigérateur ni du congélateur, car cela pourrait créer une explosion.
- Ne consommez pas de glaces ni de glaçons directement sortis du congélateur, sous peine de vous brûler la bouche et/ou les lèvres.
- Pour éviter les chutes d'objets et empêcher de détériorer l'appareil, ne surchargez pas les compartiments de portes ni les tiroirs.
- Ne touchez pas les éléments gelés si vous avez les mains humides. Vos mains pourraient rester collées aux éléments et entraîner une brûlure.
- N'utilisez pas de dispositifs mécaniques ni similaires pour accélérer le processus de décongélation, sauf si ces derniers sont approuvés par le fabricant.
- Si le cordon d'alimentation est endommagé, il doit être immédiatement remplacé par le fabricant d'origine du

système, ou par un technicien qualifié, afin d'éviter tout risque de blessure.

- Lorsque vous mettez le système au rebut, faites-le auprès d'un centre de collecte agréé. N'exposez jamais l'appareil aux flammes.

### **Sécurité des enfants et des autres personnes vulnérable**



**Ce système peut être utilisé par des enfants âgés de 8 ans et plus et par des personnes à capacités réduites sur le plan physique, sensoriel ou mental, ou n'ayant pas appris à utiliser l'appareil, dans le cadre où ils sont encadrés par une personne informée et ayant conscience des risques impliqués. Les enfants ne doivent pas jouer avec l'appareil. Le nettoyage et l'entretien ne doivent en aucun cas être effectués par des enfants sans surveillance.**

- Conservez tous les emballages hors de portée des enfants, afin d'éviter tout risque de suffocation.
- Evitez tout risque de brûlure en empêchant les enfants de toucher le compresseur situé à l'arrière de l'appareil, dont la température est très élevée.
- Ne placez aucun objet sur le dessus de l'appareil, car ces derniers pourraient chuter et entraîner des blessures graves.
- Ne laissez jamais les enfants jouer avec l'appareil en s'accrochant ou en se suspendant aux portes, étagères, tiroirs, etc.

### **Sécurité électrique**



Afin d'éviter tout risque lié à un problème électrique, nous vous conseillons d'être particulièrement attentif aux consignes de sécurité électriques suivantes.

- Nous vous conseillons d'inspecter l'appareil une fois celui-ci déballé. Si vous



constatez une quelconque anomalie, ne branchez pas l'appareil et contactez immédiatement le point de vente auprès duquel vous avez acheté

l'appareil. Conservez toutes les pièces dans leurs emballages d'origine.

- L'appareil doit être alimenté par un courant alternatif monophasé de 115V/60Hz.
  - Les prises principales doivent rester accessibles une fois l'appareil installé.
  - Vérifiez que l'appareil est correctement relié au sol. Si vous avez des doutes, contactez un électricien qualifié.
  - Si les branchements fournis ne sont pas compatibles avec vos prises, vous devez les sectionner et vous en débarrasser. Afin d'éviter tout risque d'électrocution, n'insérez jamais de turbine à glace en marche dans le congélateur. En cas de doute, contactez un électricien qualifié.
  - N'utilisez pas de rallonge ni de multiprises, car cela pourrait entraîner une surcharge électrique des circuits et provoquer un incendie.
  - Branchez toujours l'appareil à une prise murale correspondant à la tension indiquée sur la plaque nominative de l'appareil.
  - Vérifiez bien que les prises ne sont ni endommagées ni abîmées. Autrement, cela pourrait provoquer un court-circuit, une surchauffe électrique et entraîner un incendie.
  - N'insérez pas les branchements si la prise murale est lâche ; car cela pourrait entraîner un incendie ou une électrocution.
- Eteignez l'appareil et débranchez-le avant toute opération de nettoyage ou de déplacement.
- Ne branchez jamais l'appareil en tirant sur le cordon électrique. Maintenez bien la prise et tirez-la vers vous pour

éviter d'endommager le cordon.

- N'utilisez pas cet appareil sans son éclairage intérieur.
- Tout composant électrique défectueux doit être remplacé ou réparé par un électricien qualifié. Seules des pièces identiques à celles d'origine peuvent être utilisées.
- N'utilisez pas d'appareils électriques (tels que les compartiments de l'appareil, sauf s'ils sont approuvés par le fabricant).
- Si le voyant à LED est exposé à l'air libre, ne regardez pas directement la lumière, car cela pourrait endommager votre vision. Si le voyant à LED ne fonctionne pas correctement, contactez un électricien qualifié.

#### **Liquide de refroidissement et risque d'incendie**

L'appareil contient une petite quantité de liquide de refroidissement (R600a) dans le circuit de refroidissement.

- Le liquide de refroidissement contient de l'isobutane (R600a), un liquide respectueux de l'environnement mais inflammable ; assurez-vous que tous les conduits du circuit de refroidissement sont en bon état lorsque vous transportez l'appareil ou pendant que vous l'installez, afin d'éviter les risques de fuites du liquide.

#### **Attention !**



Maintenez les bougies, torches et autres objets à flammes nues à l'écart de l'appareil, et ventilez bien la pièce afin d'éviter tout risque d'incendie ou de blessure oculaire en cas de fuite du liquide de refroidissement (R600a).

- Ne stockez pas de produits contenant des gaz inflammables (ex : spray ou aérosols), ou des substances explosives.

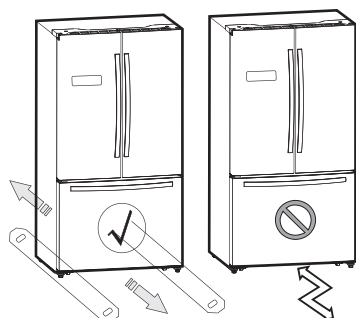
## Installation de votre nouvel appareil

Cette rubrique vous explique comment installer votre nouvel appareil avant de l'utiliser pour la toute première fois. Nous vous conseillons de lire attentivement les conseils suivants.



Pour une installation correcte, ce réfrigérateur doit être installé sur une surface plane solide, en

alignement avec le reste du sol. Cette surface doit être suffisamment résistante pour supporter un réfrigérateur rempli, soit environ 294 lbs (133 Kilos). Lorsque vous déplacez l'appareil, veillez bien à laisser l'unité à la verticale, en la déplaçant au sol.



### Emplacement et température ambiante de la pièce

Il est primordial de choisir un emplacement adapté pour votre réfrigérateur, de manière à ce qu'il fonctionne le plus correctement possible. Veuillez prendre en considération les consignes suivantes :

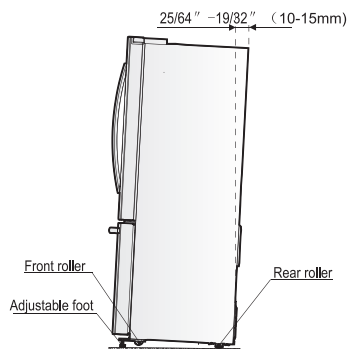
- Installez l'appareil dans un endroit sec et peu humide. La meilleure échelle de températures pour cet appareil va de 12,8° à 43,3°C.
- Conservez l'appareil à l'abri des sources de chaleur, telles que les fours, cheminées ou chauffages électriques.
- Protégez l'appareil des rayons directs du soleil et de la pluie.

Catégorie	Symbole	Echelle de température ambiante (°C)
Température prolongée	SN	+10 to +32
Tempéré	N	+16 to +32
Subtropical	ST	+16 to +38
Tropical	T	+16 to +43

### Nivellement de l'appareil

Pour que l'appareil soit correctement nivelé et qu'il ne vibre pas, ce dernier est doté de pieds réglables en hauteur. Ajustez le niveau en suivant les consignes suivantes :

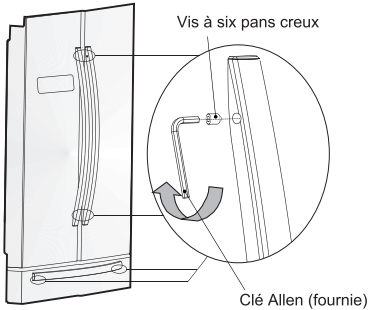
1. Placez le réfrigérateur en place.
2. Faites pivoter les pieds amovibles (à l'aide de vos doigts ou d'un tournevis) jusqu'à ce qu'ils touchent le sol.
3. Inclinez l'appareil vers l'arrière pendant 10 à 15 mm en le faisant pivoter de ½ tours. Cela permettra aux portes de se fermer correctement.
4. Dès que vous souhaitez déplacer l'appareil, pensez à repositionner les pieds à la bonne hauteur. Réinstallez l'appareil une fois que vous l'avez repositionné.



Attention ! Les pieds ajustables, qui ne sont pas des roues, ne doivent être utilisés que pour faire pencher l'appareil vers l'avant et vers l'arrière. Déplacer le réfrigérateur latéralement peut endommager les pieds de l'appareil, ainsi que votre sol.

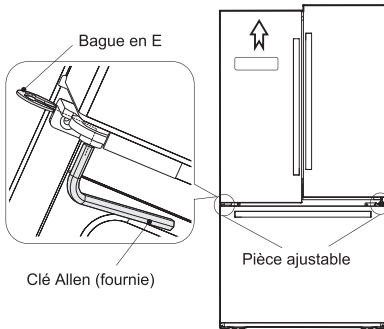
### Réglage de la poignée de porte

Avant d'utiliser le système pour la première fois, vérifiez bien la poignée du réfrigérateur. Si les poignées sont lâches, ajustez-les en utilisant une clé Allen que vous ferez pivoter dans le sens inverse des aiguilles d'une montre, jusqu'à ce que les poignées tiennent fermement en place. Chaque poignée est dotée de 2 vis.



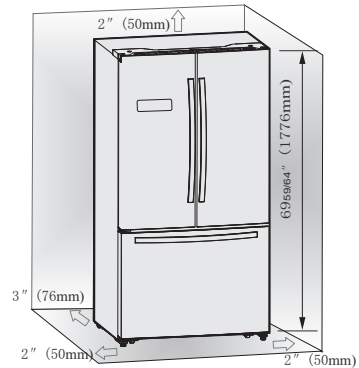
### Ajustement des portes

- Les portes droite et gauche sont dotées d'axes ajustables, situés sur les charnières inférieures.
- Avant d'ajuster le positionnement de la porte, vérifiez que le réfrigérateur est correctement nivelé. Pour cela, référez-vous à la rubrique précédente « Nivellement de l'appareil ». S'il vous semble que les portes ne sont pas bien positionnées, insérez la clé Allen dans l'axe de la charnière, et faites pivoter dans le sens horaire afin de relever la porte ; ou dans le sens antihoraire pour la faire baisser ; puis insérez une bague en E dans l'espace.

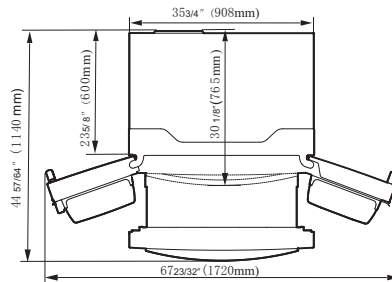


### Ventilation du système

Afin d'améliorer l'efficacité du système de refroidissement et faire des économies d'énergie, il est nécessaire que la ventilation soit correcte autour de l'appareil, afin de dissiper la chaleur. Pour cette raison, vous devez laisser un espace suffisant autour du réfrigérateur et la zone doit être libérée de tout objet susceptible d'empêcher l'air de circuler librement.



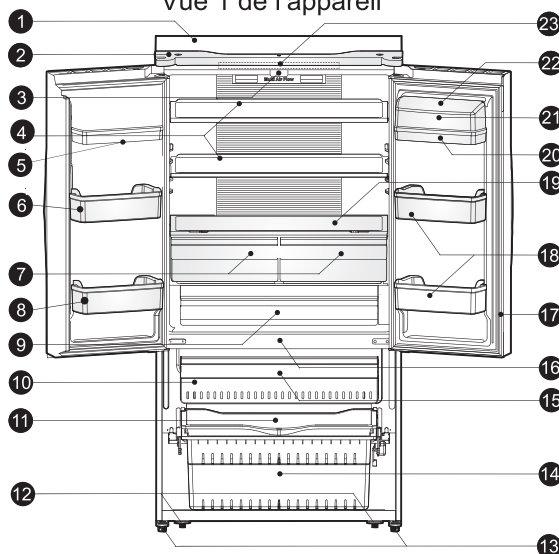
**Suggestion:** Il est recommandé de laisser au moins 75mm d'espace entre le mur et l'arrière de l'appareil, et au moins 50mm entre le plafond et le dessus de l'appareil, et sur les deux côtés. Lorsque l'appareil est installé dans un coin, un espace suffisant d'au moins 406mm sur chaque côté est nécessaire pour que les portes puissent être ouvertes correctement et que les étagères et tiroirs puissent être retirés. Comme cela est représenté sur le schéma suivant.



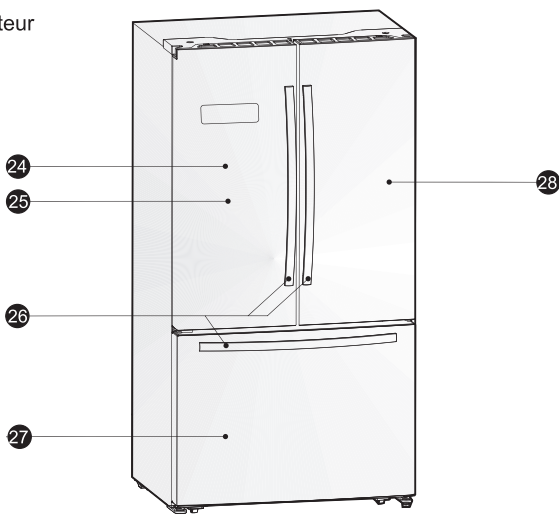
## Description du système

- 1 Cabinet
2. cache supérieur
- 3.Bloc de rails vertical
- 4.Etagère en verre
- 5.Etagère supérieure
- 6.Etagère inférieure
- 7.Bac à légumes et à fruits
- 8.Etagère inférieure
- 9.Zone multi-fonction
- 10.NBac à glaçons amovible (intérieur)
- 11.Etagère de service
- 12.Pied ajustables
- 13 Pieds ajustables arrières
- 14.Congélateur inférieur
- 15.Congélateur supérieur
- 16.Voyant lumineux à LED (intérieur)
- 17.Joint hermétique du réfrigérateur
- 18.Etagère inférieure
- 19.Cache du bac à légumes
- 20.Etagère supérieure
- 21.Plateau à œufs (intérieur)
- 22.Cache de l'étagère
- 23 Voyant lumineux à LED du réfrigérateur (intérieur)
- 24.Affichage (panneau de commandes)
- 25.Distributeur d'eau
- 26.Poignées
- 27 Porte du congélateur
28. Porte du réfrigérateur

Vue 1 de l'appareil



Vue 2 de l'appareil



**Remarque :** étant donné que notre gamme de produits évolue continuellement, votre réfrigérateur peut être légèrement différent de celui représenté dans cette illustration, mais ses fonctions et ses commandes restent les mêmes.

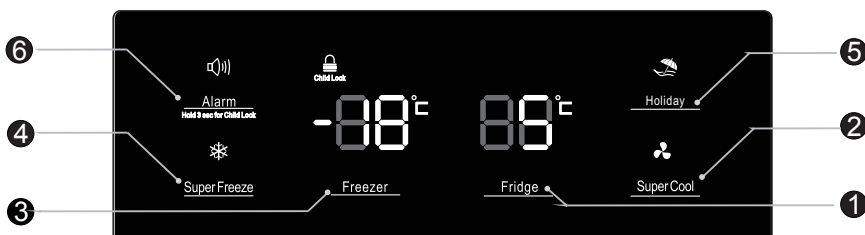
**Remarque :** pour obtenir le meilleur de votre appareil, veuillez positionner toutes les étagères, ainsi que tous les bacs et tiroirs dans leur position d'origine, comme sur le schéma ci-dessus.

## Panneau de commandes

Toutes les fonctions et commandes de l'appareil sont accessibles depuis un panneau commandes, situé sur la porte du réfrigérateur. Un clavier physique et un affichage numérique permettent de configurer facilement les paramètres de l'appareil, de manière simple et intuitive.

**Important!** Les boutons sont activés par simple enclenchement. La commande prend effet lorsque vous relâchez le bouton enclenché, pas pendant que vous le maintenez enfoncé. Il n'est pas nécessaire d'appuyer fort sur le clavier. Le mode « Child Lock » (sécurité enfants) associé au bouton « Alarm » doit être enfoncé pendant au moins 3 secondes. Veuillez consulter les rubriques correspondantes dans cette notice pour plus de détails à propos du fonctionnement des fonctions

Le panneau de commandes est constitué de deux zones d'affichage de la température, de cinq icônes représentant les différents modes et de six boutons. Lorsque l'appareil est alimenté pour la première fois en électricité, le rétro-éclairage est activé pour les icônes et le panneau de commandes s'allume. Si aucun bouton n'est enclenché et que les portes restent closes, le rétro-éclairage se désactive après 60 secondes.



### Contrôler la température

Lorsque vous allumez votre réfrigérateur pour la première fois, nous vous recommandons de fixer la température du réfrigérateur à 5°C (41°F) et celle du freezer à -18°C (-0.4°F). Si vous souhaitez modifier la température, suivez les instructions ci-dessous.

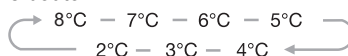
#### Attention !

Lorsque vous fixez une température, vous définissez la température moyenne de tout le réfrigérateur. Les températures de chaque compartiment peuvent varier de celles affichées sur le panneau suivant la quantité de nourriture que vous stockez et où vous les placez. La température

ambiante peut également affecter la température à l'intérieur de l'appareil.

#### 1. Réfrigérateur

Appuyez sur le bouton « Fridge » de manière répétée pour configurer la température de votre choix, entre 8°C (46.4°F) et 2°C (35.6°F). La température diminue de 1°C (32°F) à chaque fois que vous enclenchez le bouton et le voyant indiquant la température du réfrigérateur affiche la température en cours, en fonction du nombre de fois où vous avez enclenché le bouton.



#### 2. Réfrigération rapide



La réfrigération rapide accélère la réfrigération de vos aliments, les gardant plus frais plus longtemps.

- Appuyez sur le bouton « Super Cool » pour activer cette fonction. L'icône Super Cool s'allume et l'indicateur de température du réfrigérateur affiche 2°C(35.6°F).

Le mode Super Cool se désactive automatiquement après 6 heures.

- Appuyez sur le bouton « Super Cool » pour annuler le mode Super Cool et revenir aux réglages précédents.

### 3. Congélateur

Appuyez sur le bouton « Freezer » pour configurer la température de votre congélateur, entre 15°C(6.8°F) et -25°C(-11.2°F), et le voyant indiquera la température en cours, en fonction du nombre de fois où vous avez enclenché le bouton

#### 4.Mode « Super Freeze »



Le mode Super Freeze permet de faire baisser très rapidement la température afin de congeler les aliments

plus vite que la moyenne. Ce mode vous permet aussi de conserver les vitamines et les propriétés des aliments frais sur une plus longue période.

- Appuyez sur le bouton « Super Freeze » pour activer le mode Super Freeze. Le voyant associé au mode Super Freeze s'allume et la température affiche -24°C(-11.2°F).

- Lorsque vous utilisez ce mode pour la première fois, ou après une longue période d'inactivité, laissez l'appareil fonctionner 6 heures avant d'activer le mode Super Freeze. Cela est particulièrement important si une grande quantité d'aliments est placée dans le congélateur.

- Le mode Super Freeze se désactive automatiquement après 26 heures

d'activation et la température du congélateur passe en-dessous de -20°C(-4°F).

- Appuyez sur « Super Freeze » ou « Freezer » pour annuler le mode Super Freeze et revenir aux réglages précédents.

**Remarque:** Lorsque vous activez la fonction Super Freeze, vérifiez que le congélateur ne contient aucune cannette (particulièrement de boisson gazeuse). Les bouteilles pourraient exploser.

#### 5.Mode « Holiday »



Ce mode est conçu pour limiter la consommation d'énergie et réduire les factures d'électricité

lorsque le réfrigérateur n'est pas utilisé sur une longue période. Vous pouvez activer cette fonction en enclenchant le bouton « Holiday », jusqu'à ce que l'icône Holiday s'allume.

**Important!** Ne stockez aucun aliment à l'intérieur du réfrigérateur pendant cette période.

- Lorsque le mode « Holiday » est activé, la température du réfrigérateur bascule automatiquement sur 15°C(59°F), afin de réduire la consommation d'électricité. L'affichage de la température indique « - » et le compartiment de congélation reste actif.

- Appuyez sur le bouton « Holiday » pour désactiver le mode « Holiday » et revenir aux réglages de températures précédentes.

#### 6. Alarme



En cas d'alarme, l'icône « Alarm » s'allumera et un son sera émis par l'appareil.

Appuyez sur le bouton « Alarm » pour arrêter l'alarme de sonner. L'icône « Alarm » s'éteindra alors automatiquement.

**Attention !** Lorsque le réfrigérateur est

allumé après une longue période d'inactivité, l'alarme peut s'activer. Dans ce cas, appuyez sur le bouton « Alarm » pour l'annuler.

#### Alarme de porte

Le voyant lumineux et sonore émet un bip en cas de situations anormales, comme par exemple lorsque la porte a été laissée accidentellement ouverte ou qu'une panne de courant s'est produite.

- Laisser les portes du réfrigérateur ou du congélateur ouvertes pendant plus de 2 minutes active une alarme. L'alarme bipe 3 fois par minute pendant 10 minutes. Refermez les portes pour annuler l'alarme.
- Pour économiser de l'énergie, évitez de laisser les portes ouvertes pendant une longue durée. L'alarme de la porte peut également être stoppée en refermant les portes.

#### Alarme de température

Ceci est une alarme importante, qui prévient l'utilisateur d'un danger possible pour les aliments. Dans le cas où une panne de courant se produirait, par exemple en cas de panne dans votre quartier pendant votre absence, l'alarme mémoriserait la température du

congélateur au moment où l'électricité reprendra ; cette température étant probablement la plus élevée atteinte par les aliments congelés.

La température peut être modifiée entre °C - °F en appuyant le bouton "vacance".

Toute alarme sera accompagnée d'un voyant lumineux et d'un déclenchement

sonore lorsque la température ira au-delà de -9°C (15.8°F), puis :

- a- Le voyant « Alarm » s'allumera ;
- b- L'indicateur de température du congélateur affichera la valeur « H » ;
- c- L'alerte sonore sonnera 10 fois lorsque l'alarme sera activée et s'arrêtera automatiquement.

#### Sécurité enfants



Appuyez et maintenez enfoncé le bouton « Alarm » pendant 3 secondes pour activer la sécurité enfants.

Cela désactivera l'affichage des commandes, afin d'éviter les changements involontaires de paramètres. Pendant ce temps, l'icône lumineuse « Child Lock » sera allumée.

- Pour désactiver la fonction sécurité enfants, maintenez le bouton « Alarm » enfoncé pendant 3 secondes. L'icône lumineuse « Child Lock » s'éteindra.

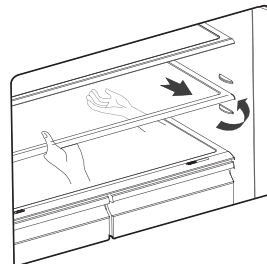
## Utilisation de votre appareil

Cette rubrique vous explique comment utiliser les fonctions de votre réfrigérateur. Nous vous conseillons de lire attentivement la notice d'utilisation de cet appareil.

#### Etagères en verre

L'intérieur du réfrigérateur est doté de deux étagères en verre. Tandis que l'étagère supérieure est conçue pour rester fixe, l'étagère inférieure est ajustable. Il existe trois crans permettant d'ajuster la position de l'étagère

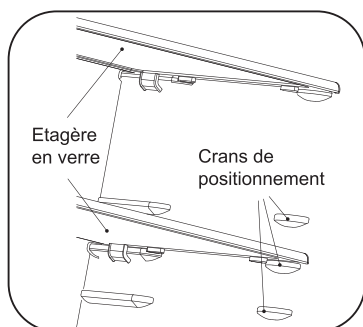
inférieure ? Ajustez la hauteur de l'étagère en fonction de vos besoins :



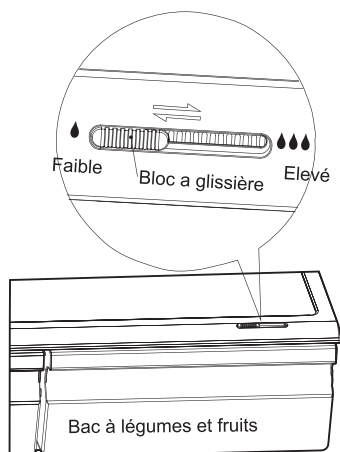
- Lorsque vous retirez l'étagère, tirez doucement vers vous jusqu'à ce que cette

dernière se déloge des crans.

- Pour remettre l'étagère en place, assurez-vous qu'aucun obstacle n'empêche de la repositionner correctement.



### Bac à légumes et régulateur de l'humidité



Le bac à légumes, monté sur des rails télescopiques, est destiné au rangement des fruits et des légumes. Vous pouvez régler le niveau d'humidité contenu dans le bac au moyen du régulateur.

- Le régulateur d'humidité permet d'ajuster la circulation de l'air à l'intérieur du bac à légumes ; plus le flux d'air est élevé, plus l'humidité est basse. Il est conseillé d'utiliser un taux élevé d'humidité pour les légumes, et un taux faible pour

les fruits.

- Les paramètres de réglage du taux d'humidité sont
- Suivez ces quelques consignes simples pour retirer le bac à légumes, le tiroir du congélateur et pour nettoyer l'ensemble. Videz le congélateur ; ramenez-le doucement vers vous pour l'ouvrir entièrement. Soulevez le bac à légumes sur les côtés. Repoussez bien les rails vers le fond avant de refermer la porte pour ne pas l'endommager.

### Utilisation du réfrigérateur

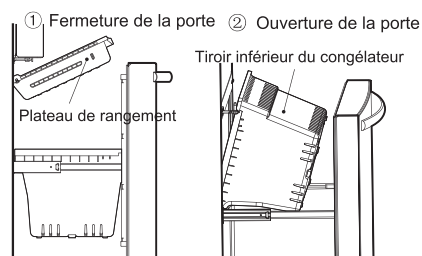
L'intérieur du réfrigérateur est utilisé pour stocker les légumes et les fruits. Séparez les aliments par des emballages individuels afin de préserver leurs saveurs propres.

### Attention !

Ne refermez jamais la porte lorsque les étagères, le bac à légumes et/ou les rails télescopiques sont sortis. Cela pourrait endommager l'appareil.

### Utilisez le tiroir du congélateur.

Le congélateur est destiné à stocker des aliments à congeler, tels que la viande, les glaces, etc. Pour retirer le bac de congélation, ramenez-le délicatement vers vous, soulevez-le légèrement, puis ouvrez les portes du réfrigérateur au maximum afin de pouvoir retirer le compartiment, comme cela est représenté sur les schémas suivants.





**Attention !**

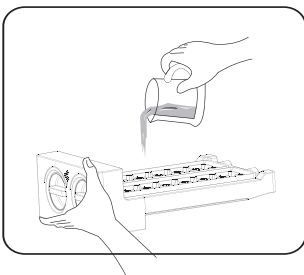
Ne laissez ni bébés ni enfants pénétrer à l'intérieur du réfrigérateur, car ils pourraient se blesser ou endommager l'appareil. Ne vous asseyez pas sur la porte du congélateur. La porte pourrait se casser. Ne laissez pas les enfants monter sur les étagères du congélateur.

Si vous retirez le séparateur pour nettoyer le bac, vous devez réinstaller le séparateur après avoir nettoyé le bac, afin d'empêcher que les enfants ne puissent être pris au piège dans le bac.

**Bac à glaçons ajustable**

● Un bac à glaçons ajustable se trouve sur la partie supérieure du congélateur et est utilisé pour ranger les glaçons.

1. Tirez délicatement le bac à glaçons ajustable vers vous, en suivant les rails.
2. Remplissez le bac d'eau, en respectant le niveau maximum indiqué.
3. Remettez le bac en place.
4. Attendez environ 3 heures, faites pivoter le régulateur dans le sens antihoraire et les glaçons tomberont dans la boîte de collecte.



5. Les glaçons peuvent être stockés dans la boîte, qui peut être retirée lorsque vous

en aurez besoin.

**Remarque:** Si le bac à glaçons est utilisé pour la première fois ou n'a pas été utilisé pendant longtemps, lavez-le bien avant de l'utiliser.

## Conseils et astuces pratiques

### Conseil d'économie d'énergie

Nous vous recommandons de suivre les conseils suivant pour économiser de l'énergie.

- Essayez de ne pas laisser la porte ouverte pendant longtemps pour préserver l'énergie.
- Assurez-vous que l'appareil se situe loin de toute source de chaleur (soleil direct, chauffage, etc.).
- Ne réglez pas la température plus froid qu'il n'est nécessaire.
- Ne stockez pas d'aliments chauds ou de liquide évaporant dans l'appareil.
- Placez l'appareil dans une pièce bien aérée et sans humidité. Veuillez vous référer au chapitre sur l'installation de votre appareil.
- Consultez la rubrique « Description de l'appareil » pour connaître les positionnements corrects des bacs, tiroirs et étagères, ainsi que la meilleure configuration possible pour rendre votre dispositif le plus productif et efficace.

### Conseils pour la réfrigération d'aliments frais

- Ne placez pas d'aliments chauds directement dans le réfrigérateur ou le freezer, la température interne augmenterait ce qui demanderait au compresseur de tourner plus et consommerait donc plus d'énergie.
- Couvrez ou enveloppez les aliments, en particulier s'ils ont une odeur forte.
- Placez les aliments correctement pour que l'air puisse circuler librement.

### Conseils deréfrigération

- Viande(ToutType): A envelopper et placez sur l'étagère en verre au-dessus du compartiment à légumes.
- Aliments cuits, plats froids, etc. : Ils doivent être couverts et peuvent être placés sur n'importe quelle étagère.
- Fruit et légumes : A stocker dans le compartiment prévu à cet effet.
- Beurre et fromage : A envelopper dans du papier aluminium ou du cellophane.

- Lait : Doit être stocké sur les étagères de la porte.

### Conseils de congélation

- Lors de la première utilisation ou après une longue période sans utilisation, allumez l'appareil pendant au moins 2 heures avant d'y stocker des aliments.
- Préparez la nourriture en petite portion pour qu'elle congèle rapidement et également permettre de n'avoir à décongeler que les quantités nécessaires.
- Envelopper les aliments dans du papier aluminium ou du cellophane.
- Ne laissez pas les aliments frais toucher ceux qui sont déjà congelés afin d'éviter une augmentation de la température.
- Les produits congelés, s'ils sont consommés immédiatement après les avoir sortis du freezer, peuvent causer des brûlures de froid.
- Il est recommandé de dater chaque produit congelé afin de garder une trace du temps de stockage.

### Conseils pour le stockage de produits congelés

- Assurez-vous que le produit congelé a été stocké correctement dans le point de vente.
- Une fois décongelée, la nourriture se détériorera rapidement et ne doit pas être recongelée. Ne dépassez pas la date de stockage limite indiqué par le fabricant.

### Éteindre votre appareil

Si vous avez besoin d'éteindre l'appareil pour une longue durée, les étapes suivantes doivent être suivies pour éviter la création de moisissures.

1. Retirez toute la nourriture.
2. Débranchez la prise.
3. Nettoyez et séchez l'intérieur soigneusement.
4. Assurez-vous que les portes restent ouvertes pour que de l'air circule.

## Nettoyage et entretien

Pour des raisons d'hygiène, l'appareil (y compris l'extérieur et les accessoires) doivent être nettoyés régulièrement, au moins tous les 2 mois.

**Attention !** L'appareil ne doit pas être branché durant le nettoyage. Risque de choc électrique! Éteignez et débranchez l'appareil avant de le nettoyer.

### Nettoyage de l'extérieur

Pour maintenir une bonne apparence de votre appareil, vous devriez le nettoyer régulièrement.

-Essayez le panneau digital et d'affichage avec un tissu doux et propre.

-Aspergez de l'eau sur le tissu plutôt que sur la surface de l'appareil. Cela assure une bonne répartition de l'humidité sur la surface.

-Nettoyez les portes, les poignées et les surfaces avec un détergent doux et essuyez-les ensuite.

Attention !

-N'utilisez pas d'objets coupant car ils peuvent rayés les surfaces.

-N'utilisez pas de diluant, détergent pour voiture, Clorox, huile étherée, nettoyants abrasifs et de solvants organiques comme le benzène. Ils peuvent endommager les surfaces et prendre feu.

### Nettoyage de l'intérieur

Vous devez nettoyer l'intérieur de l'appareil de manière régulière.

Il est plus facile de nettoyer l'appareil lorsqu'il est presque vide.

Nettoyez l'intérieur avec une solution douce (bicarbonate de soda), puis rincez à l'eau tiède en utilisant un tissu

spongieux ou une grosse éponge.

Séchez bien avant de remettre les étagères et tiroirs en place.

Séchez bien toute les surfaces ainsi que les éléments mobiles.

Bien que cet appareil se dégivre automatiquement, une couche de givre peut se former à l'intérieur du système si la porte du congélateur est ouverte trop souvent ou laissé ouverte trop longtemps. Si le givre est trop épais, attendez qu'il n'y ait plus beaucoup de nourriture et procédez comme suit .

1. Retirez les aliments et les paniers, débranchez l'appareil et laissez la porte ouverte. Aérez la pièce pour accélérer le processus.

2. Lorsque le dégivrage est terminé, nettoyez le freezer comme indiqué plus haut.

**Attention!** N'utilisez pas d'objets coupant pour enlever le givre du freezer. Ne rebranchez et ne rallumez l'appareil qu'une fois l'intérieur complètement sec.

### Nettoyage des joints de porte

Nettoyez bien les joints de porte. Les aliments collants et les boissons peuvent coller au cabinet et détacher les joints lorsque vous ouvrez la porte.

Nettoyez les joints avec un détergent doux et de l'eau chaude. Rincez-les et faites-les bien sécher.

Attention! Ne rallumez l'appareil qu'une fois les joints complètement secs.

Attention ! Les lampes LED ne doivent pas être remplacées par l'utilisateur ! Si la lampe est endommagée, contactez le service clientèle pour obtenir de l'aide.

## Dépannage

Si vous avez des problèmes avec votre appareil ou si vous pensez qu'il ne fonctionne pas correctement, vous pouvez effectuer quelques vérifications simples avant d'appeler le service clientèle.


**Attention!** N'essayez jamais de réparer l'appareil par vous-même. Si le problème persiste après que vous avez suivi les conseils ci-dessus, contactez un électricien qualifié, un centre de réparation agréé ou le point de vente d'origine de votre appareil.

Problème	Causes possibles et Solutions
L'appareil ne fonctionne pas correctement	Vérifiez que le câble d'alimentation soit correctement branché.
	Vérifiez le fusible ou le circuit de votre alimentation électrique et remplacez si nécessaire.
	La température ambiante est trop basse. Essayez de remonter la température de la pièce.
	Il est normal que le freezer ne fonctionne pas durant le cycle de dégivrage automatique ou pendant une courte période après l'allumage de l'appareil pour protéger le compresseur.
Odeurs dans les compartiments	L'intérieur peut nécessiter un nettoyage.
	Certains aliments, conteneurs ou emballages peuvent causer des odeurs.
Bruit de l'appareil	Les bruits suivants sont normaux : <ul style="list-style-type: none"> <li>● Bruit du compresseur en fonctionnement.</li> <li>● Bruit de ventilation créé par le petit ventilateur du freezer et des autres compartiments.</li> <li>● Bruit de gargouillement similaire à de l'eau bouillante.</li> <li>● Bruit de mise sous tension durant le dégivrage automatique.</li> <li>● Cliquetis avant que le compresseur ne démarre.</li> </ul>
	D'autres bruits inhabituels sont causés par les raisons suivantes et peuvent demander votre attention : Le cabinet n'est pas à niveau. L'arrière de l'appareil touche le mur. Bouteilles ou conteneurs roulant ou tombant.
Le moteur tourne continuellement	Il est normal de fréquemment entendre le bruit du moteur, il devra tourner encore plus dans les circonstances suivantes : <ul style="list-style-type: none"> <li>● Les paramètres de température sont plus froids que nécessaires.</li> <li>● Une large quantité de nourriture chaude a récemment été stockée dans l'appareil.</li> <li>● La température en-dehors de l'appareil est trop élevée.</li> <li>● Les portes sont ouvertes trop souvent et trop longtemps.</li> <li>● Si vous venez juste d'installer l'appareil ou que vous le rallumez après un long moment d'inutilisation.</li> </ul>
Une couche de givre se dépose dans le compartiment	Vérifiez que les sorties d'air ne soient pas bloquées par de la nourriture et assurez-vous que les aliments stockés permettent une aération suffisante. Assurez-vous que la porte soit bien fermée. Pour dégivrer, veuillez vous référer au chapitre d'entretien et de nettoyage.
La température interne est trop élevée	Vous avez peut-être laissé les portes ouvertes trop longtemps ou trop fréquemment ou les portes restent ouvertes à cause d'un obstacle ; ou l'espace autour de l'appareil n'est pas suffisant.

La température interne est trop basse	Augmentez la température en suivant le chapitre « Commandes de Contrôle ».
Les portes ne se ferment pas facilement	Vérifiez si le haut du réfrigérateur est incliné vers l'arrière par 10 -15mm qui permet l'auto-fermeture des portes, ou si il existe quelque chose à l'intérieur qui empêche les portes de se fermer.
De l'eau coule sur le sol	Le réservoir d'eau (situé à l'arrière du réfrigérateur) n'est peut-être pas à niveau ou le dégorgeoir (situé sous le haut du compresseur) peut ne pas être dirigé correctement vers ce réservoir ou peut être bloqué. Vous aurez peut-être besoin de tirer le réfrigérateur pour vérifier le réservoir et le dégorgeoir.
La lumière ne fonctionne pas	La lumière peut être endommagée. Référez-vous au chapitre sur le nettoyage et l'entretien des lumières LED. Le système de contrôle a désactivé les lumières car la porte a été ouverte trop longtemps. Fermez la porte et rouvrez-la pour réactiver les lumières.
Les portes ne s'ouvrent pas facilement	Vérifiez le joint de la porte, et, au besoin, nettoyez l'élément en caoutchouc situé aux extrémités au moyen d'eau savonneuse tiède. La poussière et la saleté s'accumulent ici et empêche le réfrigérateur de se fermer correctement.

## Recyclage de cet appareil

Le réfrigérateur est construit à partir de matériaux recyclables. Il doit être mis au rebut conformément aux réglementations locales en vigueur. L'appareil contient une petite quantité de liquide de refroidissement (R600a) dans le circuit de refroidissement. Pour votre sécurité, veuillez-vous référer à la rubrique « liquide de refroidissement et risque d'incendie » de cette notice avant de vous débarrasser de cet appareil. Merci de sectionner le cordon d'alimentation afin de rendre le réfrigérateur inutilisable et retirer la porte et le système de fermetures. Attention au système de refroidissement ! Pour ne pas l'endommager et éviter les risques de fuite de liquide de refroidissement, évitez de pencher trop fort l'appareil et/ou de rayer le revêtement en surface.

	Recyclage correctde ce produit
	<p>Ce symbole sur ce produit ou dans son emballage indique qu'il ne peut pas être considéré comme un déchet ménager. Il doit être emmené dans un centre de recyclage pour les équipements électriques et électroniques. En vous assurant de recycler ce produit correctement, vous aiderez à prévenir les potentielles conséquences négatives pour l'environnement et la santé des humains qui pourraient être provoquées par le mauvais traitement de ce déchet. Veuillez contacter le service de disposition des déchets local ou le magasin dans lequel vous avez acheté ce produit.</p>





**Hisense**  
life reimagined